



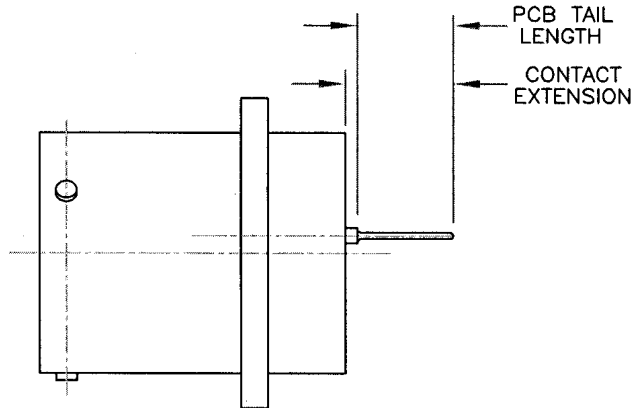
5331 DERRY AVENUE, SUITE O, AGOURA HILLS, CA 91301

**PCB PIN & SOCKET CONTACTS FOR 38999 SERIES I, II & III
METRIC DIMENSIONS**

MIL-C-38999 SERIES I CONTACTS

MIL-C-38999 SERIES II CONTACTS

MIL-C-38999 SERIES III CONTACTS



Aerotrónica Pin Part Number	Pin Type	PCB Tail		MS27466 MS27652	MS27515 MS27654 MS27656	MS27496	MS27505	MS27468 Shells 9 - 17	MS27468 Shells 19 - 25
		O.D.	Length						
		±0.03	Ref.						
CONTACT EXTENSION ± 0.25 (mm)									
4511-2200-360	22D	0.48	5.21	NONE	NONE	5.13	5.11	NONE	NONE
4511-2201-360	22D	0.51	10.67	8.94	8.76	13.82	13.79	8.56	8.15
3511-2202-360	22D	0.38	6.10	1.78	1.60	6.65	6.63	1.40	0.99
3511-2203-360	22D	0.38	8.64	4.32	4.14	9.19	9.17	3.94	3.53
3511-2204-360	22D	0.38	11.18	6.86	6.68	11.73	11.71	6.48	6.07
4511-2205-360	22D	0.48	13.72	9.40	9.22	14.27	14.25	9.02	8.61
3511-2205-360	22D	0.48	13.72	9.40	9.22	14.27	14.25	9.02	8.61
4511-2206-360	22D	0.51	13.67	13.64	13.46	18.52	18.49	13.26	12.85
4511-2207-360	22D	0.48	5.89	5.89	5.72	10.77	10.74	5.51	5.11
4511-2208-360	22D	0.64	6.22	9.60	9.42	14.48	14.45	9.22	8.81
4511-2209-360	22D	0.51	6.35	NONE	NONE	4.95	4.93	NONE	NONE
4511-2210-360	22D	0.51	11.10	7.14	6.96	12.01	11.99	6.76	6.35
4511-2211-360	22D	0.48	6.76	5.03	4.85	9.91	9.88	4.65	4.24
4511-2212-360	22D	0.51	9.02	4.06	3.89	8.94	8.92	3.68	3.28
4511-2213-360	22D	0.53	8.76	8.71	8.53	13.61	13.59	8.31	7.98
4511-2214-360	22D	0.48	3.68	3.71	3.53	8.59	8.56	3.33	2.92
4511-2215-360	22D	0.53	7.19	7.19	7.01	12.07	12.04	6.81	6.40
4511-2216-360	22D	0.51	3.10	NONE	NONE	3.78	3.76	NONE	NONE
4511-2221-360	22D	0.51	7.19	26.72	26.54	31.60	31.57	26.34	25.93
4511-2223-360	22D	0.64	9.27	12.01	11.84	16.89	16.87	11.63	11.23
4511-2225-360	22D	0.48	12.50	10.82	10.64	15.70	15.67	10.44	10.03
4511-2226-360	22D	0.61	2.90	NONE	NONE	3.30	3.28	NONE	NONE
4511-2230-360	22D	0.51	5.59	1.42	1.24	6.30	6.27	1.04	0.64
4511-2231-360	22D	0.51	10.34	6.43	6.25	11.30	11.28	6.05	5.64
4511-2232-360	22D	0.51	11.43	5.99	5.82	10.87	10.85	5.61	5.21
4511-2233-360	22D	0.51	11.18	5.69	5.51	10.57	10.54	5.31	4.90
4511-2234-360	22D	0.51	7.04	3.12	2.95	8.00	7.98	2.74	2.34
4511-2235-360	22D	0.48	5.36	0.38	NONE	5.26	5.23	NONE	NONE
4511-2236-360	22D	0.48	4.57	4.60	4.42	9.47	9.45	4.22	3.81
4511-2237-360	22D	0.76	19.38	15.52	15.34	20.40	20.37	15.14	14.73
4511-2241-360	22D	0.71	3.99	6.10	5.92	10.97	10.95	5.72	5.31
4511-2243-360	22D	0.48	3.99	5.46	5.28	10.34	10.31	5.08	4.67
3511-2250-360	22D	0.48	13.82	12.22	12.04	17.09	17.07	11.84	11.43
4511-2251-360	22D	0.48	5.99	10.64	10.46	15.52	15.49	10.26	9.86



5331 Derry Ave, Suite O, Agoura Hills, CA 91301

Rev. D February 18, 2008

38999 SERIES I PCB TAIL PINS (metric)

Page 2

Aerotrronics Pin Part Number	Pin Type	PCB Tail		MS27466 MS27652	MS27515 MS27654 MS27656	MS27496	MS27505	MS27468 Shells 9 - 17	MS27468 Shells 19 - 25
		O.D.	Length						
		±0.03	Ref.	CONTACT EXTENSION ± 0.25 (mm)					
4511-2252-360	22D	0.48	5.21	18.97	18.80	23.85	23.83	18.59	18.19
3511-2253-360	22D	0.48	12.70	15.62	15.44	20.50	20.47	15.24	14.83
4511-2254-360	22D	0.64	3.68	7.14	6.96	12.01	11.99	6.76	6.35
3511-2255-360	22D	0.64	11.30	14.81	14.63	19.69	19.66	14.43	14.02
4511-2256-360	22D	0.64	8.76	12.27	12.09	17.15	17.12	11.89	11.48
4511-2257-360	22D	0.74	3.00	9.25	9.07	14.12	14.10	8.86	8.46
3511-2258-360	22D	0.64	13.84	17.25	17.07	22.12	22.10	16.87	16.46
3511-2259-360	22D	0.79	19.35	15.52	15.34	20.40	20.37	15.14	14.73
3511-2260-360	22D	0.64	13.08	7.09	6.91	11.96	11.94	6.71	6.30
4511-2261-360	22D	0.76	3.76	8.59	8.41	13.46	13.44	8.20	7.80
4511-2262-360	22D	0.48	3.48	7.82	7.65	12.70	12.67	7.44	7.04
4511-2263-360	22D	0.48	6.38	14.50	14.33	19.38	19.35	14.12	13.72
4511-2264-360	22D	0.48	6.78	2.92	2.74	7.80	7.77	2.54	2.13
4511-2265-360	22D	0.48	10.41	10.64	10.46	15.52	15.49	10.26	9.86
4511-2270-360	22D	0.48	4.19	8.56	8.38	13.44	13.41	8.18	7.77
4511-2271-360	22D	0.64	16.00	19.46	19.28	24.33	24.31	19.08	18.67
3511-2272-360	22D	0.48	19.53	15.70	15.52	20.57	20.55	15.32	14.91
3511-2273-360	22D	0.48	12.93	6.65	6.48	11.53	11.51	6.27	5.87
4511-2274-360	22D	0.48	3.30	1.09	0.91	5.97	5.94	0.71	0.31
4511-2275-360	22D	0.48	5.08	6.81	6.63	11.68	11.66	6.43	6.02
4511-2200-361	22M	0.51	11.43	5.72	5.54	10.59	10.57	5.33	4.93
4511-2201-361	22M	0.56	4.75	8.18	8.00	13.06	13.03	7.80	7.39
3511-2202-361	22M	0.48	14.48	13.41	13.23	18.29	18.26	13.03	12.62
4511-2202-361	22M	0.48	14.48	13.41	13.23	18.29	18.26	13.03	12.62
1511-2203-361	22M	0.48	9.60	5.77	5.59	10.64	10.62	5.38	4.98
3511-2203-361	22M	0.48	9.60	5.77	5.59	10.64	10.62	5.38	4.98
4511-2203-361	22M	0.48	9.60	5.77	5.59	10.64	10.62	5.38	4.98
4511-2204-361	22M	0.48	7.75	23.55	23.37	28.42	28.40	23.16	22.76
4511-2205-361	22M	0.48	7.75	1.65	1.47	6.53	6.50	1.27	0.86
1511-2206-361	22M	0.48	12.42	8.59	8.41	13.46	13.44	8.20	7.80
3511-2206-361	22M	0.48	12.42	8.59	8.41	13.46	13.44	8.20	7.80
4511-2206-361	22M	0.48	12.42	8.59	8.41	13.46	13.44	8.20	7.80
3511-2207-361	22M	0.48	19.41	17.70	17.53	22.58	22.56	17.32	16.92
4511-2207-361	22M	0.48	19.41	17.70	17.53	22.58	22.56	17.32	16.92
4511-2208-361	22M	0.48	5.08	1.91	1.73	6.78	6.76	1.52	1.12
4511-2209-361	22M	0.66	9.98	0.99	0.81	5.87	5.84	0.61	0.20
4511-2210-361	22M	0.48	3.91	NONE	NONE	1.57	1.55	NONE	NONE
3511-2211-361	22M	0.48	7.62	2.69	2.51	7.57	7.54	2.31	1.91
4511-2211-361	22M	0.48	7.62	2.69	2.51	7.57	7.54	2.31	1.91
3511-2212-361	22M	0.51	8.94	4.04	3.86	8.92	8.89	3.66	3.25
4511-2213-361	22M	0.48	11.28	7.49	7.32	12.37	12.34	7.11	6.71
4511-2214-361	22M	0.48	2.29	8.51	8.33	13.39	13.36	8.13	7.72
4511-2215-361	22M	0.48	4.09	0.41	0.23	5.28	5.26	NONE	NONE
4511-2216-361	22M	0.48	8.94	5.08	4.90	9.96	9.93	4.70	4.29
4511-2217-361	22M	0.48	3.00	4.75	4.57	9.63	9.60	4.37	3.96
4511-2218-361	22M	0.48	3.51	5.26	5.08	10.13	10.11	4.88	4.47
4511-2219-361	22M	0.48	3.99	5.74	5.56	10.62	10.59	5.36	4.95
4511-2221-361	22M	0.48	4.50	6.25	6.07	11.13	11.10	5.87	5.46
4511-2223-361	22M	0.48	5.00	6.76	6.58	11.63	11.61	6.38	5.97
4511-2225-361	22M	0.48	5.51	7.26	7.09	12.14	12.12	6.88	6.48
4511-2227-361	22M	0.48	5.99	7.75	7.57	12.62	12.60	7.37	6.96



5331 Derry Ave, Suite O, Agoura Hills, CA 91301

Rev. D February 18, 2008

38999 SERIES I PCB TAIL PINS (metric)

Page 3

Aerotrronics Pin Part Number	Pin Type	PCB Tail		MS27466 MS27652	MS27515 MS27654 MS27656	MS27496	MS27505	MS27468 Shells 9 - 17	MS27468 Shells 19 - 25
		O.D.	Length						
		±0.03	Ref.	CONTACT EXTENSION ± 0.25 (mm)					
3591-2230-361	22M	0.46	9.98	1.02	0.84	5.89	5.87	0.64	0.23
3591-2231-361	22M	0.46	16.33	8.13	7.19	12.24	12.22	6.99	6.58
3591-2232-361	22M	0.46	7.44	NONE	NONE	3.35	3.33	NONE	NONE
3591-2233-361	22M	0.64	9.98	1.02	0.84	5.89	5.87	0.64	0.23
3591-2234-361	22M	0.46	16.33	7.37	7.19	12.24	12.22	6.99	6.58
3591-2235-361	22M	0.46	7.44	NONE	NONE	3.35	3.33	NONE	NONE
3591-2236-361	22M	0.64	9.98	1.02	0.84	5.89	5.87	0.64	0.23
4511-2240-361	22M	0.48	3.00	5.59	5.41	10.46	10.44	5.21	4.80
4511-2241-361	22M	0.48	3.51	6.10	5.92	10.97	10.95	5.72	5.31
4511-2242-361	22M	0.48	3.99	6.58	6.40	11.46	11.43	6.20	5.79
4511-2243-361	22M	0.48	4.50	7.09	6.91	11.96	11.94	6.71	6.30
4511-2244-361	22M	0.48	5.00	7.59	7.42	12.47	12.45	7.21	6.81
4511-2245-361	22M	0.48	5.51	8.10	7.92	12.98	12.95	7.72	7.32
4511-2246-361	22M	0.48	5.99	8.59	8.41	13.46	13.44	8.20	7.80
4511-2247-361	22M	0.51	19.53	15.65	15.47	20.52	20.50	15.27	14.86
4511-2248-361	22M	0.48	8.08	11.89	11.71	16.76	16.74	11.51	11.10
4511-2249-361	22M	0.48	10.49	8.97	8.79	13.84	13.82	9.86	8.18
4511-2000-363	20	0.64	7.54	5.99	5.82	10.87	10.85	5.61	5.21
4511-2001-363	20	0.66	5.08	8.15	7.98	13.03	13.00	7.77	7.37
1511-2002-363	20	0.48	10.97	8.97	8.79	13.84	13.82	8.59	8.18
4511-2002-363	20	0.48	11.05	8.97	8.79	13.84	13.82	8.59	8.18
4511-2003-363	20	0.48	3.45	3.76	3.58	8.64	8.61	3.38	2.97
4511-2004-363	20	0.51	6.35	7.49	7.32	12.37	12.34	7.11	6.71
4511-2005-363	20	0.48	5.72	NONE	NONE	3.73	3.71	NONE	NONE
4511-2006-363	20	0.48	7.62	5.54	5.36	10.41	10.39	5.16	4.75
4511-2007-363	20	0.64	9.58	3.91	3.73	8.79	8.76	3.53	3.12
4511-2008-363	20	0.64	8.71	1.65	1.47	6.53	6.50	1.27	0.86
4511-2009-363	20	0.64	10.19	3.96	3.78	8.84	8.81	3.58	3.18
3511-2010-363	20	0.48	2.16	5.72	5.54	10.59	10.57	5.33	4.93
1511-2011-363	20	0.48	10.31	5.77	5.59	10.64	10.62	5.38	4.98
1511-2012-363	20	0.48	10.41	3.63	3.45	8.51	8.48	3.25	2.84
4511-2022-363	20	0.48	6.35	7.49	7.32	12.37	12.34	7.11	6.71
4511-2030-363	20	1.02	6.99	11.40	11.23	16.28	16.26	11.02	10.62
4511-2031-363	20	0.64	14.00	8.97	8.79	13.84	13.82	8.59	8.18
4511-2032-363	20	0.58	7.01	10.52	10.34	15.39	15.37	10.13	9.73
4511-2033-363	20	0.64	4.06	3.71	3.53	8.59	8.56	3.33	2.92
4511-2034-363	20	0.64	4.95	4.60	4.42	9.47	9.45	4.22	3.81
4511-2035-363	20	0.64	8.05	6.73	6.55	11.61	11.58	6.35	5.94
3511-2036-363	20	0.48	16.21	14.25	14.07	19.13	19.10	13.87	13.46
4511-2037-363	20	0.48	9.60	5.87	5.69	10.74	10.72	5.49	5.08
4511-2038-363	20	0.48	12.75	8.81	8.64	13.69	13.67	8.43	8.03
4511-2039-363	20	0.76	3.45	3.76	3.58	8.64	8.61	3.38	2.97
4511-2040-363	20	0.48	16.13	14.22	14.05	19.10	19.08	13.84	13.44
4511-2041-363	20	0.48	3.89	7.47	9.30	14.43	14.33	9.09	8.69
3511-2042-363	20	0.48	23.55	22.00	21.82	26.87	26.85	21.62	21.21
4511-2043-363	20	0.71	3.05	7.65	7.47	12.52	12.50	7.26	6.86
3511-2050-363	20	0.64	24.08	18.42	18.24	23.29	23.27	18.03	17.63
3511-2051-363	20	0.64	22.68	17.75	17.58	22.63	22.61	17.37	16.97
3511-2052-363	20	0.81	22.68	17.75	17.58	22.63	22.61	17.37	16.97
3511-2060-363	20	0.64	3.00	4.75	4.57	9.63	9.60	4.37	3.96
4511-2061-363	20	0.64	3.51	5.26	5.08	10.13	10.11	4.88	4.47



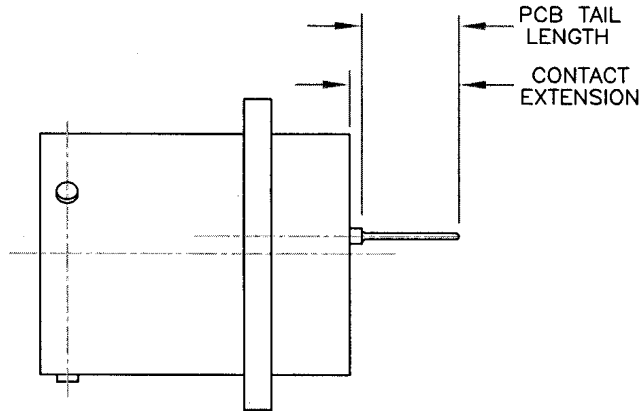
5331 Derry Ave, Suite O, Agoura Hills, CA 91301

Rev. D February 18, 2008

38999 SERIES I PCB TAIL PINS (metric)

Page 4

Aerotrronics Pin Part Number	Pin Type	PCB Tail		MS27466 MS27652	MS27515 MS27654 MS27656	MS27496	MS27505	MS27468 Shells 9 - 17	MS27468 Shells 19 - 25
		O.D.	Length						
		±0.03	Ref.	CONTACT EXTENSION ± 0.25 (mm)					
4511-2062-363	20	0.64	3.99	5.74	5.56	10.62	10.59	5.36	4.95
4511-2063-363	20	0.64	4.50	6.25	6.07	11.13	11.10	5.87	5.46
4511-2064-363	20	0.64	5.00	6.76	6.58	11.63	11.61	6.38	5.97
4511-2065-363	20	0.64	5.51	7.26	7.09	12.14	12.12	6.88	6.48
4511-2066-363	20	0.64	5.99	7.75	7.57	12.62	12.60	7.37	6.96
4511-2067-363	20	0.64	3.00	5.59	5.41	10.46	10.44	5.21	4.80
4511-2068-363	20	0.64	3.51	6.10	5.92	10.97	10.95	5.72	5.31
4511-2069-363	20	0.64	3.99	6.58	6.40	11.46	11.43	6.20	5.79
4511-2070-363	20	0.64	4.50	7.09	6.91	11.96	11.94	6.71	6.30
4511-2071-363	20	0.64	5.00	7.59	7.42	12.47	12.45	7.21	6.81
4511-2072-363	20	0.64	5.51	8.10	7.92	12.98	12.95	7.72	7.32
4511-2073-363	20	0.64	5.99	8.59	8.41	13.46	13.44	8.20	7.80
4511-2074-363	20	0.76	19.53	15.65	15.47	20.52	20.50	15.27	14.86
4511-2075-363	20	0.99	7.11	6.63	6.45	11.51	11.48	6.25	5.84
4511-2076-363	20	0.66	8.84	11.00	10.82	15.88	15.85	10.62	10.21
3511-2077-363	20	0.48	16.31	14.22	13.54	19.10	19.08	13.84	13.44
4511-2078-363	20	0.48	7.62	5.54	5.36	10.41	10.39	5.16	4.75
4511-2079-363	20	0.48	11.05	8.97	8.79	13.84	13.82	8.59	8.18
4511-1600-364	16	1.57	13.92	8.99	8.81	13.87	13.84	8.61	8.20
4511-1601-364	16	1.57	8.69	8.71	8.53	13.59	13.56	8.33	7.92
4511-1602-364	16	1.57	7.80	1.65	1.47	6.53	6.50	1.27	0.86
4511-1603-364	16	1.22	13.89	8.97	8.79	13.84	13.82	8.59	8.18
4511-1604-364	16	1.57	9.83	2.92	2.74	7.80	7.77	2.54	2.13
4511-1605-364	16	1.45	3.00	9.25	9.07	14.12	14.10	8.86	8.46
4511-1606-364	16	1.27	4.32	7.24	7.06	12.12	12.09	6.86	6.45
4511-1607-364	16	1.57	19.10	15.47	15.29	20.35	20.32	15.09	14.68
4511-1608-364	16	1.57	2.29	4.01	3.84	8.89	8.86	3.63	3.23
4511-1609-364	16	1.57	13.92	11.51	11.33	16.38	16.36	11.13	10.72
4511-1610-364	16	0.64	11.07	8.99	8.81	13.87	13.84	8.61	8.20
4511-1611-364	16	0.64	4.19	3.71	3.53	8.59	8.56	3.33	2.92
4511-1612-364	16	0.64	5.08	4.60	4.42	9.47	9.45	4.22	3.81
4511-1613-364	16	0.64	6.05	5.56	5.38	10.44	10.41	5.18	4.78
4511-1618-364	16	0.64	2.16	5.72	5.54	10.59	10.57	5.33	4.93
4511-1620-364	16	1.02	13.92	6.63	6.45	11.51	11.48	6.25	5.84
4511-1621-364	16	1.02	15.98	8.69	8.51	13.56	13.54	8.31	7.90
4511-1630-364	16	0.89	3.43	NONE	NONE	3.81	3.78	NONE	NONE
4511-1640-364	16	1.57	3.00	4.75	4.57	9.63	9.60	4.37	3.96
4511-1641-364	16	1.57	3.51	5.26	5.08	10.13	10.11	4.88	4.47
4511-1642-364	16	1.57	3.99	5.74	5.56	10.62	10.59	5.36	4.95
4511-1643-364	16	1.57	4.50	6.25	6.07	11.13	11.10	5.87	5.46
4511-1644-364	16	1.57	5.00	6.76	6.58	11.63	11.61	6.38	5.97
4511-1645-364	16	1.57	5.51	7.26	7.09	12.14	12.12	6.88	6.48
4511-1646-364	16	1.57	5.99	7.75	7.57	12.62	12.60	7.37	6.96
4511-1647-364	16	1.57	3.00	5.59	5.41	10.46	10.44	5.21	4.80
4511-1648-364	16	1.57	3.51	6.10	5.92	10.97	10.95	5.72	5.31
4511-1649-364	16	1.57	3.99	6.58	6.40	11.46	11.43	6.20	5.79
4511-1650-364	16	1.57	4.50	7.09	6.91	11.96	11.94	6.71	6.30
4511-1651-364	16	1.57	5.00	7.59	7.42	12.47	12.45	7.21	6.81
4511-1652-364	16	1.57	5.51	8.10	7.92	12.98	12.95	7.72	7.32
4511-1653-364	16	1.57	5.99	8.59	8.41	13.46	13.44	8.20	7.80
4511-1654-364	16	1.22	22.68	17.75	17.58	22.63	22.61	17.37	16.97



Aertronics Socket Part Number	Socket Type	PCB Tail		MS27466 MS27652	MS27515 MS27654 MS27656	MS27496	MS27505	MS27468 Shells 9 - 17	MS27468 Shells 19 - 25
		O.D.	Length						
		±0.03	Ref.						
CONTACT EXTENSION ± 0.25 (mm)									
3510-2200-348	22D	0.48	5.84	5.59	5.26	10.59	10.62	5.05	4.65
1510-2201-348	22D	0.48	5.87	13.16	12.83	18.16	18.19	12.62	12.22
3510-2201-348	22D	0.48	14.48	13.16	12.83	18.16	18.19	12.62	12.22
1510-2202-348	22D	0.48	10.69	8.71	8.38	13.72	13.74	8.18	7.77
3510-2202-348	22D	0.48	10.69	8.71	8.38	13.72	13.74	8.18	7.77
1510-2203-348	22D	0.48	7.14	5.16	4.83	10.16	10.19	4.62	4.22
3510-2203-348	22D	0.48	7.14	5.16	4.83	10.16	10.19	4.62	4.22
3510-2204-348	22D	0.48	14.68	12.70	12.37	17.70	17.73	12.17	11.76
3510-2205-348	22D	0.48	3.68	3.43	3.10	8.43	8.46	2.90	2.49
1510-2206-348	22D	0.48	5.56	3.58	3.25	8.59	8.61	3.05	2.64
3510-2206-348	22D	0.48	5.56	3.58	3.25	8.59	8.61	3.05	2.64
3510-2207-348	22D	0.51	13.74	13.49	13.16	18.49	18.52	12.95	12.55
3510-2208-348	22D	0.51	13.64	12.98	12.65	17.98	18.01	12.45	12.04
1510-2209-348	22D	0.48	10.11	21.92	21.59	26.92	26.95	21.39	20.98
3510-2209-348	22D	0.48	10.11	21.92	21.59	26.92	26.95	21.39	20.98
3510-2210-348	22D	0.48	3.45	4.42	4.09	9.42	9.45	3.89	3.48
3510-2211-348	22D	0.58	3.99	5.64	5.31	10.64	10.67	5.11	4.70
3510-2212-348	22D	0.48	12.40	10.62	10.29	15.62	15.65	10.08	9.68
3510-2213-348	22D	0.48	8.64	3.43	3.10	8.43	8.46	2.90	2.49
1510-2214-348	22D	0.48	9.22	7.26	6.93	12.27	12.29	6.73	6.32
3510-2214-348	22D	0.48	9.22	7.26	6.93	12.27	12.29	6.73	6.32
3510-2215-348	22D	0.48	9.60	5.51	5.18	10.52	10.54	4.98	4.57
1510-2216-348	22D	0.48	19.53	15.44	15.11	20.45	20.47	14.91	14.50
3510-2216-348	22D	0.48	19.53	15.44	15.11	20.45	20.47	14.91	14.50
3510-2217-348	22D	0.48	3.33	NONE	NONE	4.09	4.11	NONE	NONE
3510-2218-348	22D	0.48	12.93	6.40	6.07	11.40	11.43	5.87	5.46
1510-2219-348	22D	0.48	7.06	21.92	21.59	26.92	26.95	21.39	20.98
3510-2230-348	22D	0.48	5.99	9.40	9.07	14.40	14.43	8.86	8.46
3510-2231-348	22D	0.48	4.57	4.32	3.99	9.32	9.35	3.78	3.38
3510-2232-348	22D	0.48	3.81	7.82	7.49	12.83	12.85	7.29	6.88
1510-2233-348	22D	0.48	13.00	16.41	16.08	21.41	21.44	15.88	15.47
3510-2234-348	22D	0.66	5.92	8.71	8.38	13.72	13.74	8.18	7.77
3510-2235-348	22D	0.48	3.18	1.32	0.99	6.32	6.35	0.79	0.38
3510-2236-348	22D	0.48	3.68	3.43	3.10	8.43	8.46	2.90	2.49



5331 Derry Ave, Suite O, Agoura Hills, CA 91301

Rev. D February 18, 2008

38999 SERIES I PCB TAIL SOCKETS (metric)

Page 2

Aerotrionics Socket Part Number	Socket Type	PCB Tail		MS27466 MS27652	MS27515 MS27654 MS27656	MS27496	MS27505	MS27468 Shells 9 - 17	MS27468 Shells 19 - 25
		O.D.	Length						
		±0.03	Ref.						
CONTACT EXTENSION ± 0.25 (mm)									
3510-2237-348	22D	0.48	5.54	5.28	4.95	10.29	10.31	4.75	4.34
1510-2238-348	22D	0.51	7.95	7.70	7.37	12.70	12.73	7.16	6.76
1510-2239-348	22D	0.48	4.45	7.80	7.47	12.80	12.83	7.26	6.86
3510-2239-348	22D	0.48	4.45	7.80	7.47	12.80	12.83	7.26	6.86
3510-2241-348	22D	0.71	3.99	5.84	5.51	10.85	10.87	5.31	4.90
3510-2242-348	22D	0.51	6.55	8.23	7.90	13.23	13.26	7.70	7.29
3510-2243-348	22D	0.48	2.29	2.62	2.29	7.62	7.65	2.08	1.68
1510-2244-348	22D	0.48	7.80	22.78	22.45	27.79	27.81	22.25	21.84
1510-2245-348	22D	0.48	12.04	8.13	7.80	13.13	13.16	7.59	7.19
3510-2247-348	22D	0.48	8.00	9.30	8.97	14.30	14.33	8.76	8.36
1510-2248-348	22D	0.48	5.61	22.25	21.92	27.25	27.28	21.72	21.31
3510-2251-348	22D	0.51	8.31	9.02	8.69	14.02	14.05	8.48	8.08
3510-2260-348	22D	0.48	6.99	5.69	5.36	10.69	10.72	5.16	4.75
3510-2261-348	22D	0.64	6.68	NONE	NONE	5.23	5.26	NONE	NONE
3510-2262-348	22D	0.48	2.54	0.58	0.25	5.59	5.61	NONE	NONE
3510-2263-348	22D	0.48	3.81	1.85	1.52	6.86	6.88	1.32	0.91
1510-2264-348	22D	0.48	6.10	15.37	15.04	20.37	20.40	14.83	14.43
3510-2264-348	22D	0.48	6.10	15.37	15.04	20.37	20.40	14.83	14.43
3510-2265-348	22D	0.48	4.45	6.53	6.20	11.53	11.56	5.99	5.59
3510-2266-348	22D	0.48	4.45	17.91	17.58	22.91	22.94	17.37	16.97
3510-2267-348	22D	0.48	4.45	7.59	7.26	12.60	12.62	7.06	6.65
3510-2268-348	22D	0.48	4.57	7.06	6.73	12.07	12.09	6.53	6.12
3510-2269-348	22D	0.51	10.03	12.04	11.71	17.04	17.07	11.51	11.10
3510-2270-348	22D	0.48	5.87	NONE	NONE	2.77	2.79	NONE	NONE
1510-2271-348	22D	0.74	8.36	10.16	9.83	15.16	15.19	9.63	9.22
3510-2271-348	22D	0.74	8.36	10.16	9.83	15.16	15.19	9.63	9.22
3510-2272-348	22D	0.48	3.99	5.51	5.18	10.52	10.54	4.98	4.57
3510-2273-348	22D	0.48	5.41	8.66	8.33	13.67	13.69	8.13	7.72
3510-2274-348	22D	0.48	6.20	7.67	7.34	12.67	12.70	7.14	6.73
3510-2275-348	22D	0.48	6.15	6.65	6.32	11.66	11.68	6.12	5.72
3510-2276-348	22D	0.48	7.62	7.37	7.04	12.37	12.40	6.83	6.43
3510-2280-348	22D	0.64	12.70	12.67	12.35	17.68	17.70	12.14	11.73
3510-2281-348	22D	0.48	23.27	18.06	17.73	23.06	23.09	17.53	17.12
3510-2282-348	22D	0.48	4.62	10.59	10.26	15.60	15.62	10.06	9.65
3510-2284-348	22D	0.81	23.27	18.06	17.73	23.06	23.09	17.53	17.12
1510-2285-348	22D	0.48	18.21	41.63	41.30	46.63	46.66	41.10	40.69
3510-2286-348	22D	0.48	5.41	8.76	8.43	13.77	13.79	8.23	7.82
3510-2287-348	22D	0.74	7.11	6.35	6.02	11.35	11.38	5.82	5.41
3510-2288-348	22D	0.48	10.41	10.72	10.39	15.72	15.75	10.19	9.78
3510-2200-349	22M	0.48	3.00	5.84	5.51	10.85	10.87	5.31	4.90
3510-2201-349	22M	0.48	3.51	6.35	6.02	11.35	11.38	5.82	5.41
3510-2202-349	22M	0.48	3.99	6.83	6.50	11.84	11.86	6.30	5.89
3510-2203-349	22M	0.48	4.50	7.34	7.01	12.34	12.37	6.81	6.40
3510-2204-349	22M	0.48	5.00	7.85	7.52	12.85	12.88	7.32	6.91
3510-2205-349	22M	0.48	5.51	8.36	8.03	13.36	13.39	7.82	7.42
3510-2206-349	22M	0.48	5.99	8.84	8.51	13.84	13.87	8.31	7.90
3510-2207-349	22M	0.48	3.00	4.67	4.34	9.68	9.70	4.14	3.73
3510-2208-349	22M	0.48	3.51	5.18	4.85	10.19	10.21	4.65	4.24
3510-2209-349	22M	0.48	3.99	5.66	5.33	10.67	10.69	5.13	4.72
3510-2210-349	22M	0.48	4.50	6.17	5.84	11.18	11.20	5.64	5.23
3510-2211-349	22M	0.48	5.00	6.68	6.35	11.68	11.71	6.15	5.74



5331 Derry Ave, Suite O, Agoura Hills, CA 91301

Rev. D February 18, 2008

38999 SERIES I PCB TAIL SOCKETS (metric)

Page 3

Aerotronics Socket Part Number	Socket Type	PCB Tail		MS27466 MS27652	MS27515 MS27654 MS27656	MS27496	MS27505	MS27468 Shells 9 - 17	MS27468 Shells 19 - 25
		O.D.	Length						
		±0.03	Ref.						
CONTACT EXTENSION ± 0.25 (mm)									
3510-2212-349	22M	0.48	5.51	7.19	6.86	12.19	12.22	6.65	6.25
3510-2213-349	22M	0.48	5.99	7.67	7.34	12.67	12.70	7.14	6.73
1510-2251-349	22M	0.76	8.36	10.16	9.83	15.16	15.19	9.63	9.22
3510-2251-349	22M	0.76	8.36	10.16	9.83	15.16	15.19	9.63	9.22
1510-22LFO-349	22M	0.48	5.00	6.78	6.45	11.79	11.81	6.25	5.84
1510-22LF1-349	22M	0.48	3.99	5.77	5.44	10.77	10.80	5.23	4.83
1510-22LF2-349	22M	0.48	3.00	4.78	4.45	9.78	9.80	4.24	3.84
1510-2000-351	20	0.66	10.16	3.68	3.35	8.69	8.71	3.15	2.74
1510-2001-351	20	0.66	5.08	7.87	7.54	12.88	12.90	7.34	6.93
1510-2002-351	20	0.48	11.05	8.71	8.38	13.72	13.74	8.18	7.77
1510-2003-351	20	0.48	3.45	4.42	4.09	9.42	9.45	3.89	3.48
1510-2004-351	20	0.58	7.01	10.24	9.91	15.24	15.27	9.70	9.30
3510-2004-351	20	0.58	7.01	10.24	9.91	15.24	15.27	9.70	9.30
1510-2005-351	20	0.48	7.65	5.28	4.95	10.29	10.31	4.75	4.34
1510-2006-351	20	0.48	3.68	3.43	3.10	8.43	8.46	2.90	2.49
1510-2007-351	20	0.48	4.57	4.32	3.99	9.32	9.35	3.78	3.38
1510-2008-351	20	0.48	5.54	5.28	4.95	10.29	10.31	4.75	4.34
1510-2009-351	20	0.48	10.39	3.38	3.05	8.38	8.41	2.84	2.44
1510-2010-351	20	0.48	16.23	13.97	13.64	18.97	19.00	13.44	13.03
1510-2011-351	20	0.48	4.45	7.59	7.26	12.60	12.62	7.06	6.65
1510-2012-351	20	0.74	8.36	10.16	9.83	15.16	15.19	9.63	9.22
1510-2013-351	20	0.48	4.04	5.51	5.18	10.52	10.54	4.98	4.57
1510-2014-351	20	0.99	8.26	17.88	17.55	22.89	22.91	17.35	16.94
1510-2015-351	20	0.48	5.41	8.66	8.33	13.67	13.69	8.13	7.72
1510-2016-351	20	0.48	6.20	7.67	7.34	12.67	12.70	7.14	6.73
1510-2017-351	20	0.48	23.27	18.06	17.73	23.06	23.09	17.53	17.12
3510-2018-351	20	0.81	23.27	18.06	17.73	23.06	23.09	17.53	17.12
1510-2019-351	20	0.48	4.50	11.28	10.95	16.28	16.31	10.74	10.34
1510-2029-351	20	0.76	10.03	17.15	16.81	22.15	22.17	16.61	16.21
1510-2031-351	20	0.76	7.62	17.15	16.81	22.15	22.17	16.61	16.21
3510-2032-351	20	0.48	5.08	15.90	15.57	20.90	20.93	15.37	14.96
3510-2033-351	20	0.51	2.29	2.62	2.29	7.62	7.65	2.08	1.68
3510-2036-351	20	0.48	5.84	5.59	5.26	10.59	10.62	5.05	4.65
3510-2037-351	20	0.48	11.51	8.71	8.38	13.72	13.74	8.18	7.77
3510-2040-351	20	1.22	4.88	12.37	12.04	17.37	17.40	11.84	11.43
1510-2041-351	20	0.48	5.97	4.95	4.62	9.96	9.98	4.42	4.01
1510-2042-351	20	0.48	12.04	8.13	7.80	13.13	13.16	7.59	7.19
1510-2043-351	20	0.48	23.55	16.61	16.28	21.62	21.64	16.08	15.67
1510-2044-351	20	0.48	13.67	11.51	11.18	16.51	16.54	10.97	10.57
1510-2045-351	20	0.48	12.22	5.28	4.95	10.29	10.31	4.75	4.34
3510-2050-351	20	0.76	7.62	7.92	7.59	12.93	12.95	7.39	6.99
3510-5051-351	20	0.76	7.62	14.73	14.40	19.74	19.76	14.20	13.79
3510-2060-351	20	0.64	3.00	5.84	5.51	10.85	10.87	5.31	4.90
3510-2061-351	20	0.64	3.51	6.35	6.02	11.35	11.38	5.82	5.41
3510-2062-351	20	0.64	3.99	6.83	6.50	11.84	11.86	6.30	5.89
3510-2063-351	20	0.64	4.50	7.34	7.01	12.34	12.37	6.81	6.40
3510-2064-351	20	0.64	5.00	7.85	7.52	12.85	12.88	7.32	6.91
3510-2065-351	20	0.64	5.51	8.36	8.03	13.36	13.39	7.82	7.42
3510-2066-351	20	0.64	5.99	8.84	8.51	13.84	13.87	8.31	7.90
3510-2071-351	20	0.64	3.00	4.67	4.34	9.68	9.70	4.14	3.73
3510-2072-351	20	0.64	3.51	5.18	4.85	10.19	10.21	4.65	4.24



5331 Derry Ave, Suite O, Agoura Hills, CA 91301

Rev. D February 18, 2008

38999 SERIES I PCB TAIL SOCKETS (metric)

Page 4

Aerotronics Socket Part Number	Socket Type	PCB Tail		MS27466 MS27652	MS27515 MS27654 MS27656	MS27496	MS27505	MS27468 Shells 9 - 17	MS27468 Shells 19 - 25
		O.D.	Length						
		±0.03	Ref.						
CONTACT EXTENSION ± 0.25 (mm)									
3510-2073-351	20	0.64	3.99	5.66	5.33	10.67	10.69	5.13	4.72
3510-2074-351	20	0.64	4.50	6.17	5.84	11.18	11.20	5.64	5.23
3510-2075-351	20	0.64	5.00	6.68	6.35	11.68	11.71	6.15	5.74
3510-2076-351	20	0.64	5.51	7.19	6.86	12.19	12.22	6.65	6.25
3510-2077-351	20	0.64	5.99	7.67	7.34	12.67	12.70	7.14	6.73
3510-2080-351	20	0.61	16.13	11.39	11.61	16.94	16.97	11.40	11.00
3510-2081-351	20	0.99	7.11	6.35	6.02	11.35	11.38	5.82	5.41
3510-2082-351	20	0.48	8.20	6.43	6.10	11.43	11.46	5.89	5.49
3510-2083-351	20	0.48	9.91	7.75	7.42	12.75	12.78	7.21	6.81
3510-2084-351	20	0.48	9.40	7.24	6.91	12.24	12.27	6.71	6.30
3510-2086-351	20	0.48	9.65	14.00	13.67	19.00	19.02	13.46	13.06
3510-2087-351	20	0.48	7.32	5.16	4.83	10.16	10.19	4.62	4.22
3510-1600-352	16	0.64	11.07	8.71	8.38	13.72	13.74	8.18	7.77
3510-1601-352	16	0.64	4.67	3.43	3.10	8.43	8.46	2.90	2.49
3510-1602-352	16	0.64	5.56	4.32	3.99	9.32	9.35	3.78	3.38
3510-1603-352	16	0.64	4.45	7.59	7.26	12.60	12.62	7.06	6.65
3510-1604-352	16	1.02	4.45	7.59	7.26	12.60	12.62	7.06	6.65
3510-1605-352	16	1.57	8.26	17.88	17.55	22.89	22.91	17.35	16.94
3510-1606-352	16	1.57	2.29	2.62	2.29	7.62	7.65	2.08	1.68
3510-1607-352	16	1.02	13.87	6.35	6.02	11.35	11.38	5.82	5.41
3510-1609-352	16	1.57	7.62	17.15	16.81	22.15	22.17	16.61	16.21
3510-1610-352	16	0.74	7.62	8.64	8.31	13.64	13.67	8.10	7.70
3510-1611-352	16	0.74	8.38	9.40	9.07	14.40	14.43	8.86	8.46
1510-1618-352	16	1.59	8.36	10.16	9.83	15.16	15.19	9.63	9.22
1510-1619-352	16	1.16	21.59	11.28	10.95	16.28	16.31	10.74	10.34
3510-1621-352	16	1.57	3.00	5.84	5.51	10.85	10.87	5.31	4.90
3510-1623-352	16	1.57	3.51	6.35	6.02	11.35	11.38	5.82	5.41
3510-1625-352	16	1.57	3.99	6.83	6.50	11.84	11.86	6.30	5.89
3510-1626-352	16	1.52	4.50	7.34	7.01	12.34	12.37	6.81	6.40
3510-1627-352	16	1.57	5.00	7.85	7.52	12.85	12.88	7.32	6.91
3510-1628-352	16	1.57	5.51	8.36	8.03	13.36	13.39	7.82	7.42
3510-1629-352	16	1.57	5.99	8.84	8.51	13.84	13.87	8.31	7.90
3510-1630-352	16	1.57	3.00	4.67	4.34	9.68	9.70	4.14	3.73
3510-1631-352	16	1.57	3.51	5.18	4.85	10.19	10.21	4.65	4.24
3510-1632-352	16	1.57	3.99	5.66	5.33	10.67	10.69	5.13	4.72
3510-1633-352	16	1.57	4.50	6.17	5.84	11.18	11.20	5.64	5.23
3510-1634-352	16	1.57	5.00	6.68	6.35	11.68	11.71	6.15	5.74
3510-1635-352	16	1.57	5.51	7.19	6.86	12.19	12.22	6.65	6.25
3510-1636-352	16	1.57	5.99	7.67	7.34	12.67	12.70	7.14	6.73
3510-1637-352	16	0.71	10.67	6.07	5.74	11.07	11.10	5.54	5.13
3510-1638-352	16	1.57	7.62	17.25	16.92	22.25	22.28	16.71	16.31
3510-1200-353	12	2.08	3.00	5.84	5.51	10.85	10.87	5.31	4.90
3510-1201-353	12	2.08	18.82	11.20	10.87	16.21	16.23	10.67	10.26
3510-1202-353	12	2.08	3.68	3.43	3.10	8.43	8.46	2.90	2.49
3510-1203-353	12	2.08	7.01	9.86	9.53	14.86	14.88	9.32	8.92
3510-1204-353	12	2.08	4.57	4.32	3.99	9.32	9.35	3.78	3.38
3510-1205-353	12	2.08	3.51	6.35	6.02	11.35	11.38	5.82	5.41
3510-1206-353	12	2.39	8.26	17.88	17.55	22.89	22.91	17.35	16.94
3510-1207-353	12	2.08	3.99	6.83	6.50	11.84	11.86	6.30	5.89
3510-1208-353	12	2.08	4.50	7.34	7.01	12.34	12.37	6.81	6.40
3510-1209-353	12	2.08	5.00	7.85	7.52	12.85	12.88	7.32	6.91



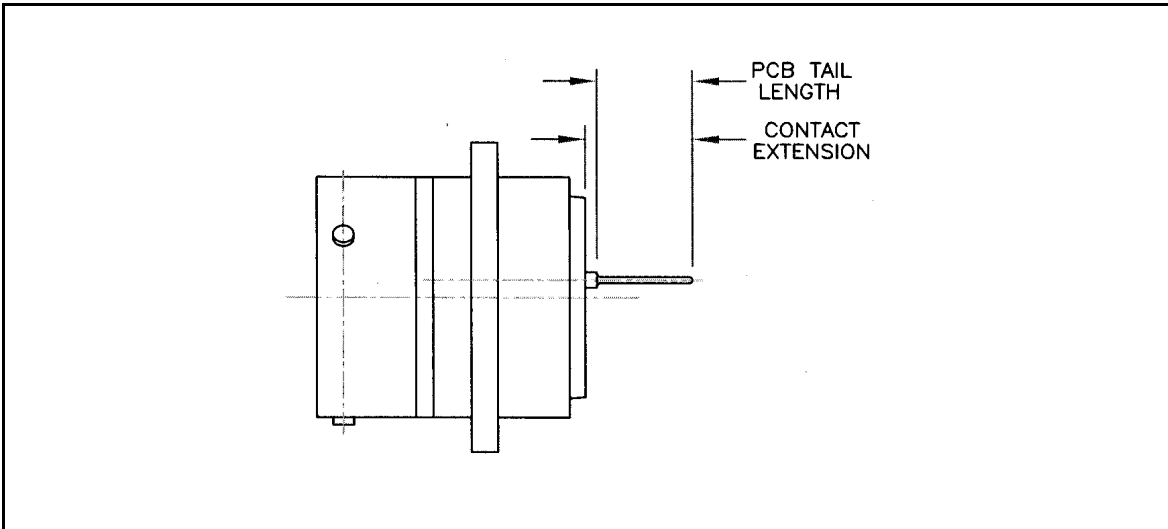
5331 Derry Ave, Suite O, Agoura Hills, CA 91301

Rev. D February 18, 2008

38999 SERIES I PCB TAIL SOCKETS (metric)

Page 5

Aerotrronics Socket Part Number	Socket Type	PCB Tail		MS27466 MS27652	MS27515 MS27654 MS27656	MS27496	MS27505	MS27468 Shells 9 - 17	MS27468 Shells 19 - 25
		O.D.	Length						
		±0.03	Ref.	CONTACT EXTENSION ± 0.25 (mm)					
3510-1210-353	12	2.08	5.51	8.36	8.03	13.36	13.39	7.82	7.42
3510-1211-353	12	2.08	5.99	8.84	8.51	13.84	13.87	8.31	7.90
1510-1213-353	12	2.08	8.36	10.16	9.83	15.16	15.19	9.63	9.22
3510-1214-353	12	2.39	7.11	7.59	7.26	12.60	12.62	7.06	6.65
3510-1230-353	12	2.08	3.00	4.67	4.34	9.68	9.70	4.14	3.73
3510-1231-353	12	2.08	3.51	5.18	4.85	10.19	10.21	4.65	4.24
3510-1232-353	12	2.08	3.99	5.66	5.33	10.67	10.69	5.13	4.72
3510-1233-353	12	2.08	4.50	6.17	5.84	11.18	11.20	5.64	5.23
3510-1234-353	12	2.08	5.00	6.68	6.35	11.68	11.71	6.15	5.74
3510-1235-353	12	2.08	5.51	7.19	6.86	12.19	12.22	6.65	6.25
3510-1236-353	12	2.08	5.99	7.67	7.34	12.67	12.70	7.14	6.73



Aerotrionics Pin Part Number	Pin Type	PCB Tail		MS27472 MS27479	MS27664 MS27497	MS27499 MS27504 MS27513	MS27508	MS27474 MS27481
		O.D.	Length					
		±0.03	Ref.					
CONTACT EXTENSION ± .025 (mm)								
4511-2200-360	22D	0.48	5.21	NONE	NONE	5.13	5.13	NONE
4511-2201-360	22D	0.51	10.67	8.89	8.89	13.82	13.82	8.89
3511-2202-360	22D	0.38	6.10	1.73	1.73	6.65	6.65	1.73
3511-2203-360	22D	0.38	8.64	4.27	4.27	9.19	9.19	4.27
3511-2204-360	22D	0.38	11.18	6.81	6.81	11.73	11.73	6.81
3511-2205-360	22D	0.48	13.72	9.35	9.35	14.27	14.27	9.35
4511-2205-360	22D	0.48	13.72	9.35	9.35	14.27	14.27	9.35
4511-2206-360	22D	0.51	13.67	13.59	13.59	18.52	18.52	13.59
4511-2207-360	22D	0.48	5.89	5.84	5.84	10.77	10.77	5.84
4511-2208-360	22D	0.64	6.22	9.55	9.55	14.48	14.48	9.55
4511-2209-360	22D	0.51	6.35	NONE	NONE	4.95	4.95	NONE
4511-2210-360	22D	0.51	11.10	7.09	7.09	12.01	12.01	7.09
4511-2211-360	22D	0.48	6.76	4.98	4.98	9.91	9.91	4.98
4511-2212-360	22D	0.51	9.02	4.01	4.01	8.94	8.94	4.01
4511-2213-360	22D	0.53	8.76	8.71	8.71	13.64	13.64	8.71
4511-2214-360	22D	0.48	3.68	3.66	3.66	8.59	8.59	3.66
4511-2215-360	22D	0.53	7.19	7.14	7.14	12.07	12.07	7.14
4511-2216-360	22D	0.51	3.10	NONE	NONE	3.78	3.78	NONE
4511-2221-360	22D	0.51	7.19	26.64	26.64	31.57	31.57	26.64
4511-2223-360	22D	0.64	9.27	11.96	11.96	16.89	16.89	11.96
4511-2225-360	22D	0.48	12.50	10.77	10.77	15.70	15.70	10.77
4511-2226-360	22D	0.61	2.90	NONE	NONE	3.30	3.30	NONE
4511-2230-360	22D	0.51	5.59	1.37	1.37	6.30	6.30	1.37
4511-2231-360	22D	0.51	10.34	6.38	6.38	11.30	11.30	6.38
4511-2232-360	22D	0.51	11.43	5.94	5.94	10.87	10.87	5.94
4511-2233-360	22D	0.51	11.18	5.64	5.64	10.57	10.57	5.64
4511-2234-360	22D	0.51	7.04	3.07	3.07	8.00	8.00	3.07
4511-2235-360	22D	0.48	5.36	0.33	0.33	5.26	5.26	0.33
4511-2236-360	22D	0.48	4.57	4.55	4.55	9.47	9.47	4.55
4511-2237-360	22D	0.76	19.38	15.47	15.47	20.40	20.40	15.47
4511-2241-360	22D	0.70	3.99	6.05	6.05	10.97	10.97	6.05
4511-2243-360	22D	0.48	3.99	5.41	5.41	10.34	10.34	5.41
3511-2250-360	22D	0.48	13.82	12.17	12.17	17.09	17.09	12.17
4511-2251-360	22D	0.48	5.99	10.59	10.59	15.52	15.52	10.59



5331 Derry Ave, Suite O, Agoura Hills, CA 91301

Rev. D February 18, 2008

38999 SERIES II PCB TAIL PINS (metric)

page 2

Aerotrronics Pin Part Number	Pin Type	PCB Tail		MS27472 MS27479	MS27664 MS27497	MS27499 MS27504 MS27513	MS27508	MS27474 MS27481
		O.D.	Length					
		±0.03	Ref.	CONTACT EXTENSION ± .025 (mm)				
4511-2252-360	22D	0.48	5.21	18.92	18.92	23.85	23.85	18.92
3511-2253-360	22D	0.48	12.70	15.57	15.57	20.50	20.50	15.57
4511-2254-360	22D	0.64	3.68	7.09	7.09	12.01	12.01	7.09
3511-2255-360	22D	0.64	11.30	14.76	14.76	19.69	19.69	14.76
4511-2256-360	22D	0.64	8.76	12.22	12.22	17.15	17.15	12.22
4511-2257-360	22D	0.74	3.00	9.19	9.19	14.12	14.12	9.19
4511-2258-360	22D	0.64	13.84	17.20	17.20	22.12	22.12	17.20
4511-2259-360	22D	0.79	19.35	15.47	15.47	20.40	20.40	15.47
4511-2260-360	22D	0.64	13.08	7.04	7.04	11.96	11.96	7.04
4511-2261-360	22D	0.76	3.76	8.53	8.53	13.46	13.46	8.53
4511-2262-360	22D	0.48	3.48	7.77	7.77	12.70	12.70	7.77
4511-2263-360	22D	0.48	6.38	14.45	14.45	19.39	19.39	14.45
4511-2264-360	22D	0.48	6.78	2.87	2.87	7.80	7.80	2.87
4511-2265-360	22D	0.48	10.41	10.59	10.59	15.52	15.52	10.59
4511-2270-360	22D	0.48	4.19	8.51	8.51	13.44	13.44	8.51
4511-2271-360	22D	0.64	16.00	19.41	19.41	24.33	24.33	19.41
3511-2272-360	22D	0.48	19.53	15.65	15.65	20.57	20.57	15.65
3511-2273-360	22D	0.48	12.93	6.60	6.60	11.53	11.53	6.60
4511-2274-360	22D	0.48	3.30	1.04	1.04	5.97	5.97	1.04
4511-2275-360	22D	0.48	5.08	6.76	6.76	11.68	11.68	6.76
4511-2200-361	22M	0.51	11.43	5.66	5.66	10.59	10.59	5.66
4511-2201-361	22M	0.56	4.75	8.13	8.13	13.06	13.06	8.13
3511-2202-361	22M	0.48	14.27	13.36	13.36	18.29	18.29	13.36
4511-2202-361	22M	0.48	14.27	13.36	13.36	18.29	18.29	13.36
1511-2203-361	22M	0.48	9.60	5.89	5.89	10.82	10.82	5.89
3511-2203-361	22M	0.48	9.60	5.89	5.89	10.82	10.82	5.89
4511-2203-361	22M	0.48	9.60	5.89	5.89	10.82	10.82	5.89
4511-2204-361	22M	0.48	7.75	23.50	23.50	28.42	28.42	23.50
4511-2205-361	22M	0.48	7.75	1.60	1.60	6.53	6.53	1.60
1511-2206-361	22M	0.48	12.42	8.74	8.74	13.67	13.67	8.74
3511-2206-361	22M	0.48	12.42	8.74	8.74	13.67	13.67	8.74
4511-2206-361	22M	0.48	12.42	8.74	8.74	13.67	13.67	8.74
3511-2207-361	22M	0.48	19.41	17.65	17.65	22.58	22.58	17.65
4511-2207-361	22M	0.48	19.41	17.65	17.65	22.58	22.58	17.65
4511-2208-361	22M	0.48	5.08	1.85	1.85	6.78	6.78	1.85
4511-2209-361	22M	0.64	9.98	0.97	0.97	5.89	5.89	0.97
4511-2210-361	22M	0.48	3.91	NONE	NONE	1.57	1.57	NONE
3511-2211-361	22M	0.48	7.62	2.64	2.64	7.57	7.57	2.64
4511-2211-361	22M	0.48	7.62	2.64	2.64	7.57	7.57	2.64
4511-2212-361	22M	0.51	8.94	3.99	3.99	8.92	8.92	3.99
4511-2213-361	22M	0.48	11.28	7.44	7.44	12.37	12.37	7.44
4511-2214-361	22M	0.48	2.29	8.46	8.46	13.39	13.39	8.46
4511-2215-361	22M	0.48	4.09	0.36	0.36	5.28	5.28	0.36
1511-2216-361	22M	0.48	8.94	5.03	5.03	9.96	9.96	5.03
1511-2217-361	22M	0.48	3.00	4.70	4.70	9.63	9.63	4.70
4511-2218-361	22M	0.48	3.51	5.21	5.21	10.13	10.13	5.21
4511-2219-361	22M	0.48	3.99	5.69	5.69	10.62	10.62	5.69
4511-2221-361	22M	0.48	4.50	6.20	6.20	11.13	11.13	6.20
4511-2223-361	22M	0.48	5.00	6.71	6.71	11.63	11.63	6.71
4511-2225-361	22M	0.48	5.51	7.21	7.21	12.14	12.14	7.21
4511-2227-361	22M	0.48	5.99	7.70	7.70	12.62	12.62	7.70



5331 Derry Ave, Suite O, Agoura Hills, CA 91301

Rev. D February 18, 2008

38999 SERIES II PCB TAIL PINS (metric)

page 3

Aerotrronics Pin Part Number	Pin Type	PCB Tail		MS27472 MS27479	MS27664 MS27497	MS27499 MS27504 MS27513	MS27508	MS27474 MS27481
		O.D.	Length					
		±0.03	Ref.	CONTACT EXTENSION ± .025 (mm)				
3591-2230-361	22M	0.46	9.98	0.97	0.97	5.89	5.89	0.97
3591-2231-361	22M	0.46	16.33	7.32	7.32	12.24	12.24	7.32
3591-2232-361	22M	0.46	7.44	NONE	NONE	3.35	3.35	NONE
3591-2233-361	22M	0.64	9.98	0.97	0.97	5.89	5.89	0.97
3591-2234-361	22M	0.46	16.33	7.32	7.32	12.24	12.24	7.32
3591-2235-361	22M	0.46	7.44	NONE	NONE	3.35	3.35	NONE
3591-2236-361	22M	0.64	9.98	0.97	0.97	5.89	5.89	0.97
4511-2240-361	22M	0.48	3.00	5.54	5.54	10.46	10.46	5.54
4511-2241-361	22M	0.48	3.51	6.05	6.05	10.97	10.97	6.05
4511-2242-361	22M	0.48	3.99	6.53	6.53	11.46	11.46	6.53
4511-2243-361	22M	0.48	4.50	7.04	7.04	11.96	11.96	7.04
4511-2244-361	22M	0.48	5.00	7.54	7.54	12.47	12.47	7.54
4511-2245-361	22M	0.48	5.51	8.05	8.05	12.98	12.98	8.05
4511-2246-361	22M	0.48	5.99	8.53	8.53	13.46	13.46	8.53
4511-2247-361	22M	0.51	19.53	15.60	15.60	20.52	20.52	15.60
4511-2248-361	22M	0.48	8.08	11.84	11.84	16.76	16.76	11.84
4511-2249-361	22M	0.48	10.49	8.92	8.92	13.84	13.84	8.92
4511-2000-363	20	0.64	7.54	5.94	5.94	10.87	10.87	5.94
4511-2001-363	20	0.66	5.08	8.10	8.10	13.03	13.03	8.10
1511-2002-363	20	0.48	10.97	8.92	8.92	13.84	13.84	8.92
4511-2002-363	20	0.48	11.05	8.92	8.92	13.84	13.84	8.92
4511-2003-363	20	0.48	3.45	3.71	3.71	8.64	8.64	3.71
4511-2004-363	20	0.51	6.35	7.44	7.44	12.37	12.37	7.44
4511-2005-363	20	0.48	5.72	NONE	NONE	3.73	3.73	NONE
4511-2006-363	20	0.48	7.62	5.49	5.49	10.41	10.41	5.49
4511-2007-363	20	0.64	9.58	3.86	3.86	8.79	8.79	3.86
4511-2008-363	20	0.64	8.71	1.60	1.60	6.53	6.53	1.60
4511-2009-363	20	0.64	10.19	3.91	3.91	8.84	8.84	3.91
3511-2010-363	20	0.48	2.16	5.66	5.66	10.59	10.59	5.66
1511-2011-363	20	0.48	10.31	5.72	5.72	10.64	10.64	5.72
1511-2012-363	20	0.48	10.41	3.58	3.58	8.51	8.51	3.58
4511-2030-363	20	1.02	6.99	11.35	11.35	16.28	16.28	11.35
4511-2031-363	20	0.64	14.00	8.92	8.92	13.84	13.84	8.92
4511-2032-363	20	0.58	7.01	10.46	10.46	15.39	15.39	10.46
4511-2033-363	20	0.64	4.06	3.66	3.66	8.59	8.59	3.66
4511-2034-363	20	0.64	4.95	4.55	4.55	9.47	9.47	4.55
4511-2035-363	20	0.64	8.05	6.68	6.68	11.61	11.61	6.68
3511-2036-363	20	0.48	16.21	14.20	14.20	19.13	19.13	14.20
4511-2237-363	20	0.48	9.60	5.82	5.82	10.74	10.74	5.82
4511-2038-363	20	0.48	12.75	8.76	8.76	13.69	13.69	8.76
4511-2039-363	20	0.76	3.45	3.71	3.71	8.64	8.64	3.71
4511-2040-363	20	0.48	16.13	14.17	14.17	19.10	19.10	14.17
4511-2041-363	20	0.48	3.89	9.42	9.42	14.35	14.35	9.42
4511-2042-363	20	0.48	23.80	21.49	21.49	26.87	26.87	21.49
4511-2043-363	20	0.71	3.05	7.59	7.59	12.52	12.52	7.59
3511-2050-363	20	0.64	24.08	18.36	18.36	23.29	23.29	18.36
3511-2051-363	20	0.64	22.68	17.70	17.70	22.63	22.63	17.70
3511-2052-363	20	0.81	22.68	17.70	17.70	22.63	22.63	17.70
3511-2060-363	20	0.64	3.00	4.70	4.70	9.63	9.63	4.70
4511-2061-363	20	0.64	3.51	5.21	5.21	10.13	10.13	5.21
4511-2062-363	20	0.64	3.99	5.69	5.69	10.62	10.62	5.69



5331 Derry Ave, Suite O, Agoura Hills, CA 91301

Rev. D February 18, 2008

38999 SERIES II PCB TAIL PINS (metric)

page 4

Aerotrronics Pin Part Number	Pin Type	PCB Tail		MS27472 MS27479	MS27664 MS27497	MS27499 MS27504 MS27513	MS27508	MS27474 MS27481
		O.D.	Length					
		±0.03	Ref.	CONTACT EXTENSION ± .025 (mm)				
4511-2063-363	20	0.64	4.50	6.20	6.20	11.13	11.13	6.20
4511-2064-363	20	0.64	5.00	6.71	6.71	11.63	11.63	6.71
4511-2065-363	20	0.64	5.51	7.21	7.21	12.14	12.14	7.21
4511-2066-363	20	0.64	5.99	7.70	7.70	12.62	12.62	7.70
4511-2067-363	20	0.64	3.00	5.54	5.54	10.46	10.46	5.54
4511-2068-363	20	0.64	3.51	6.05	6.05	10.97	10.97	6.05
4511-2069-363	20	0.64	3.99	6.53	6.53	11.46	11.46	6.53
4511-2070-363	20	0.64	4.50	7.04	7.04	11.96	11.96	7.04
4511-2071-363	20	0.64	5.00	7.54	7.54	12.47	12.47	7.54
4511-2072-363	20	0.64	5.51	8.05	8.05	12.98	12.98	8.05
4511-2073-363	20	0.64	5.99	8.53	8.53	13.46	13.46	8.53
4511-2074-363	20	0.76	19.53	15.60	15.60	20.52	20.52	15.60
4511-2075-363	20	0.99	7.11	6.58	6.58	11.51	11.51	6.58
4511-2076-363	20	0.66	9.75	10.95	10.95	15.88	15.88	10.95
4511-2077-363	20	0.48	16.31	14.17	14.17	19.10	19.10	14.17
4511-2078-363	20	0.48	7.62	5.49	5.49	10.41	10.41	5.49
4511-2079-363	20	0.48	11.05	8.92	8.92	13.84	13.84	8.92
4511-1600-364	16	1.57	13.92	8.94	8.94	13.87	13.87	8.94
4511-1601-364	16	1.57	8.69	8.66	8.66	13.59	13.59	8.66
4511-1602-364	16	1.57	7.80	1.60	1.60	6.53	6.53	1.60
4511-1603-364	16	1.22	13.89	8.92	8.92	13.84	13.84	8.92
4511-1604-364	16	1.57	9.83	2.87	2.87	7.80	7.80	2.87
4511-1605-364	16	1.45	3.00	9.19	9.19	14.12	14.12	9.19
4511-1606-364	16	1.27	4.32	7.19	7.19	12.12	12.12	7.19
4511-1607-364	16	1.57	19.10	15.42	15.42	20.35	20.35	15.42
4511-1608-364	16	1.57	2.29	2.64	2.64	7.57	7.57	2.64
4511-1609-364	16	1.57	13.92	11.46	11.46	16.38	16.38	11.46
4511-1610-364	16	0.64	11.07	8.94	8.94	13.87	13.87	8.94
4511-1611-364	16	0.64	4.19	3.66	3.66	8.59	8.59	3.66
4511-1612-364	16	0.64	5.08	4.55	4.55	9.47	9.47	4.55
4511-1613-364	16	0.64	6.05	5.51	5.51	10.44	10.44	5.51
4511-1618-364	16	0.64	2.16	5.66	5.66	10.59	10.59	5.66
4511-1620-364	16	1.02	13.92	6.58	6.58	11.51	11.51	6.58
4511-1621-364	16	1.02	15.98	8.64	8.64	13.56	13.56	8.64
4511-1630-364	16	0.89	3.43	NONE	NONE	3.81	3.81	NONE
4511-1640-364	16	1.57	3.00	4.70	4.70	9.63	9.63	4.70
4511-1641-364	16	1.57	3.51	5.21	5.21	10.13	10.13	5.21
4511-1642-364	16	1.57	3.99	5.69	5.69	10.62	10.62	5.69
4511-1643-364	16	1.57	4.50	6.20	6.20	11.13	11.13	6.20
4511-1644-364	16	1.57	5.00	6.71	6.71	11.63	11.63	6.71
4511-1645-364	16	1.57	5.51	7.21	7.21	12.14	12.14	7.21
4511-1646-364	16	1.57	5.99	7.70	7.70	12.62	12.62	7.70
4511-1647-364	16	1.57	3.00	5.54	5.54	10.46	10.46	5.54
4511-1648-364	16	1.57	3.51	6.05	6.05	10.97	10.97	6.05
4511-1649-364	16	1.57	3.99	6.53	6.53	11.46	11.46	6.53
4511-1650-364	16	1.57	4.50	7.04	7.04	11.96	11.96	7.04
4511-1651-364	16	1.57	5.00	7.54	7.54	12.47	12.47	7.54
4511-1652-364	16	1.57	5.51	8.05	8.05	12.98	12.98	8.05
4511-1653-364	16	1.57	5.99	8.53	8.53	13.46	13.46	8.53
4511-1654-364	16	1.22	22.68	17.70	17.70	22.63	22.63	17.70
4511-1655-364	16	1.52	19.53	15.60	15.60	20.52	20.52	15.60



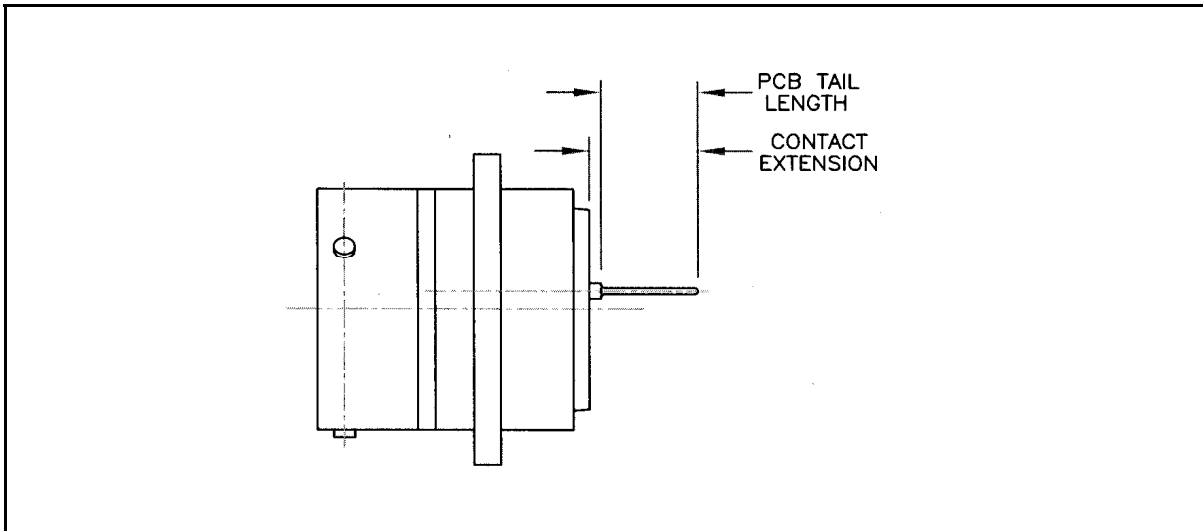
5331 Derry Ave, Suite O, Agoura Hills, CA 91301

Rev. D February 18, 2008

38999 SERIES II PCB TAIL PINS (metric)

page 5

Aerotronics Pin Part Number	Pin Type	PCB Tail		MS27472 MS27479	MS27664 MS27497	MS27499 MS27504 MS27513	MS27508	MS27474 MS27481
		O.D.	Length					
		±0.03	Ref.	CONTACT EXTENSION ± .0.25 (mm)				
4511-1656-364	16	1.57	7.65	5.82	5.82	10.74	10.74	5.82
4511-1657-364	16	1.57	11.02	6.76	6.76	11.68	11.68	6.76
4511-1658-364	16	0.99	3.05	7.59	7.59	12.52	12.52	7.59
4511-1200-365	12	2.06	16.33	8.92	8.92	13.84	13.84	8.92
4511-1201-365	12	2.06	12.01	4.60	4.60	9.53	9.53	4.60
4511-1202-365	12	2.06	6.17	NONE	NONE	3.68	3.68	NONE
4511-1203-365	12	2.06	13.28	5.87	5.87	10.80	10.80	5.87
4511-1204-365	12	2.06	3.99	4.70	4.70	9.63	9.63	4.70
4511-1205-365	12	2.06	5.41	5.21	5.21	10.13	10.13	5.21
4511-1206-365	12	2.06	6.20	5.69	5.69	10.62	10.62	5.69
4511-1210-365	12	2.06	3.68	6.20	6.20	11.13	11.13	6.20
4511-1211-365	12	2.06	4.57	6.71	6.71	11.63	11.63	6.71
4511-1230-365	12	2.06	7.62	7.21	7.21	12.14	12.14	7.21
4511-1240-365	12	2.06	3.00	7.70	7.70	12.62	12.62	7.70
4511-1241-365	12	2.06	3.51	5.54	5.54	10.46	10.46	5.54
4511-1242-365	12	2.06	3.99	6.05	6.05	10.97	10.97	6.05
4511-1243-365	12	2.06	4.50	6.53	6.53	11.46	11.46	6.53
4511-1244-365	12	2.06	5.00	7.04	7.04	11.96	11.96	7.04
4511-1245-365	12	2.06	5.51	7.54	7.54	12.47	12.47	7.54
4511-1246-365	12	2.06	5.99	8.05	8.05	12.98	12.98	8.05
4511-1247-365	12	2.06	3.00	8.53	8.53	13.46	13.46	8.53
4511-1248-365	12	2.06	3.51	6.05	6.05	10.97	10.97	6.05
4511-1249-365	12	2.06	3.99	6.53	6.53	11.46	11.46	6.53
4511-1250-365	12	2.06	4.50	7.04	7.04	11.96	11.96	7.04
4511-1251-365	12	2.06	5.00	7.54	7.54	12.47	12.47	7.54
4511-1252-365	12	2.06	5.51	8.05	8.05	12.98	12.98	8.05
4511-1253-365	12	2.06	5.99	8.53	8.53	13.46	13.46	8.53
4511-1254-365	12	2.39	6.15	6.63	6.63	11.56	11.56	6.63



Aertronics Socket Part Number	Socket Type	PCB Tail		MS27472 MS27479	MS27664 MS27497	MS27499 MS27504 MS27513	MS27508	MS27474 MS27481
		O.D.	Length					
		±0.03	Ref.					
CONTACT EXTENSION ± 0.25 (mm)								
3510-2200-354	22D	0.48	6.76	2.57	2.57	7.57	7.57	2.57
3510-2201-354	22D	0.48	6.60	NONE	NONE	5.05	5.05	NONE
3510-2202-354	22D	0.48	12.42	8.23	8.23	13.23	13.23	8.23
3510-2203-354	22D	0.61	4.88	2.77	2.77	7.77	7.77	2.77
3510-2204-354	22D	0.56	5.92	3.73	3.73	8.74	8.74	3.73
3510-2205-354	22D	0.51	11.43	4.39	4.39	9.40	9.40	4.39
3510-2206-354	22D	0.53	2.54	2.59	2.59	7.59	7.59	2.59
3510-2207-354	22D	0.53	9.07	3.73	3.73	8.74	8.74	3.73
3510-2208-354	22D	0.53	6.50	1.17	1.17	6.17	6.17	1.17
3510-2209-354	22D	0.51	21.11	17.73	17.73	22.73	22.73	17.73
3510-2210-354	22D	0.51	10.21	4.80	4.80	9.80	9.80	4.80
3510-2211-354	22D	0.66	1.80	NONE	NONE	0.25	0.25	NONE
3510-2212-354	22D	0.74	3.00	9.25	9.25	14.25	14.25	9.25
3510-2213-354	22D	0.48	3.30	0.97	0.97	5.97	5.97	0.97
3510-2214-354	22D	0.48	13.87	9.73	9.73	14.73	14.73	9.73
3510-2221-354	22D	0.48	2.16	0.56	0.56	5.56	5.56	0.56
3510-2223-354	22D	0.64	10.29	14.27	14.27	19.28	19.28	14.27
3510-2200-355	22M	0.48	9.60	5.41	5.41	10.41	10.41	5.41
3510-2201-355	22M	0.48	5.31	22.33	22.33	27.33	27.33	22.33
1590-2202-355	22M	0.48	10.44	1.14	1.14	6.15	6.15	1.14
3510-2202-355	22M	0.48	10.44	1.14	1.14	6.15	6.15	1.14
3510-2203-355	22M	0.48	7.82	1.32	1.32	6.32	6.32	1.32
3510-2204-355	22M	0.48	5.08	1.47	1.47	6.48	6.48	1.47
3510-2205-355	22M	0.48	5.08	0.99	0.99	5.99	5.99	0.99
3510-2206-355	22M	0.48	6.55	NONE	NONE	4.37	4.37	NONE
3510-2210-355	22M	0.48	3.00	4.27	4.27	9.27	9.27	4.27
3510-2211-355	22M	0.48	3.51	4.78	4.78	9.78	9.78	4.78
3510-2212-355	22M	0.48	3.99	5.26	5.26	10.26	10.26	5.26
3510-2213-355	22M	0.48	4.50	5.77	5.77	10.77	10.77	5.77
3510-2214-355	22M	0.48	5.00	6.27	6.27	11.28	11.28	6.27
3510-2215-355	22M	0.48	5.51	6.78	6.78	11.79	11.79	6.78
3510-2216-355	22M	0.48	5.99	7.26	7.26	12.27	12.27	7.26
3510-2217-355	22M	0.48	3.00	NONE	NONE	4.27	4.27	NONE
3510-2218-355	22M	0.48	3.51	NONE	NONE	4.78	4.78	NONE



5331 Derry Ave, Suite O, Agoura Hills, CA 91301

Rev. D February 18, 2008

38999 SERIES II PCB TAIL SOCKETS (metric)

Page 2

Aerotronics Socket Part Number	Socket Type	PCB Tail		MS27472 MS27479	MS27664 MS27497	MS27499 MS27504 MS27513	MS27508	MS27474 MS27481
		O.D. ±0.03	Length Ref.					
		CONTACT EXTENSION ± 0.25 (mm)						
3510-2219-355	22M	0.48	3.99	0.25	0.25	5.26	5.26	0.25
3510-2221-355	22M	0.48	4.50	0.76	0.76	5.77	5.77	0.76
3510-2223-355	22M	0.48	5.00	1.27	1.27	6.27	6.27	1.27
3510-2225-355	22M	0.48	5.51	1.78	1.78	6.78	6.78	1.78
3510-2226-355	22M	0.48	5.99	2.26	2.26	7.26	7.26	2.26
1510-2227-355	22M	0.48	5.99	NONE	NONE	3.15	3.15	NONE
1510-2228-355	22M	0.48	8.53	0.69	0.69	5.69	5.69	0.69
1510-2229-355	22M	0.48	14.88	7.04	7.04	12.04	12.04	7.04
1590-2231-355	22M	0.51	5.38	3.43	3.43	8.43	8.43	3.43
1590-2232-355	22M	0.51	5.38	7.59	7.59	12.60	12.60	7.59
1590-2233-355	22M	0.51	5.38	11.25	11.25	16.26	16.26	11.25
1590-2240-355	22M	0.53	9.98	0.69	0.69	5.69	5.69	0.69
1510-2241-355	22M	0.48	12.40	8.33	8.33	13.34	13.34	8.33
1510-2242-355	22M	0.53	9.98	0.69	0.69	5.69	5.69	0.69
3510-2253-355	22M	0.48	10.01	4.32	4.32	9.32	9.32	4.32
3510-2260-355	22M	0.64	16.76	19.10	19.10	24.10	24.10	19.10
3510-2261-355	22M	0.64	7.62	11.61	11.61	16.61	16.61	11.61
1510-2276-355	22M	0.66	8.53	0.69	0.69	5.69	5.69	0.69
1590-2276-355	22M	0.66	8.53	0.69	0.69	5.69	5.69	0.69
3510-2276-355	22M	0.66	8.53	0.69	0.69	5.69	5.69	0.69
1510-2277-355	22M	0.48	5.99	NONE	NONE	3.15	3.15	NONE
1590-2277-355	22M	0.48	5.99	NONE	NONE	3.15	3.15	NONE
3510-2277-355	22M	0.48	5.99	NONE	NONE	3.15	3.15	NONE
1510-2278-355	22M	0.48	8.53	0.69	0.69	5.69	5.69	0.69
1590-2278-355	22M	0.48	8.53	0.69	0.69	5.69	5.69	0.69
3510-2278-355	22M	0.48	8.53	0.69	0.69	5.69	5.69	0.69
1510-2279-355	22M	0.48	14.88	7.04	7.04	12.04	12.04	7.04
1590-2279-355	22M	0.48	14.88	7.04	7.04	12.04	12.04	7.04
3510-2279-355	22M	0.48	14.88	7.04	7.04	12.04	12.04	7.04
3510-2000-357	20	0.64	3.00	4.27	4.27	9.27	9.27	4.27
3510-2001-357	20	0.64	3.51	4.78	4.78	9.78	9.78	4.78
3510-2002-357	20	0.64	3.99	5.26	5.26	10.26	10.26	5.26
3510-2003-357	20	0.64	4.50	5.77	5.77	10.77	10.77	5.77
3510-2004-357	20	0.64	5.00	6.27	6.27	11.28	11.28	6.27
3510-2005-357	20	0.64	5.51	6.78	6.78	11.79	11.79	6.78
3510-2006-357	20	0.64	5.99	7.26	7.26	12.27	12.27	7.26
3510-2007-357	20	0.64	3.00	NONE	NONE	4.27	4.27	NONE
3510-2008-357	20	0.64	3.51	NONE	NONE	4.78	4.78	NONE
3510-2009-357	20	0.64	3.99	0.25	0.25	5.26	5.26	0.25
3510-2010-357	20	0.64	4.50	0.76	0.76	5.77	5.77	0.76
3510-2011-357	20	0.64	5.00	1.27	1.27	6.27	6.27	1.27
3510-2013-357	20	0.64	5.51	1.78	1.78	6.78	6.78	1.78
3510-2014-357	20	0.64	5.99	2.26	2.26	7.26	7.26	2.26
3510-2015-357	20	0.51	5.51	6.78	6.78	11.79	11.79	6.78
3510-1600-358	16	1.57	13.89	8.61	8.61	13.61	13.61	8.61
3510-1601-358	16	1.45	3.00	9.25	9.25	14.25	14.25	9.25
3510-1602-358	16	1.57	3.00	4.27	4.27	9.27	9.27	4.27
3510-1603-358	16	1.57	3.51	4.78	4.78	9.78	9.78	4.78
3510-1604-358	16	1.57	3.99	5.26	5.26	10.26	10.26	5.26
3510-1605-358	16	1.57	4.50	5.77	5.77	10.77	10.77	5.77
3510-1606-358	16	1.57	5.00	6.27	6.27	11.28	11.28	6.27



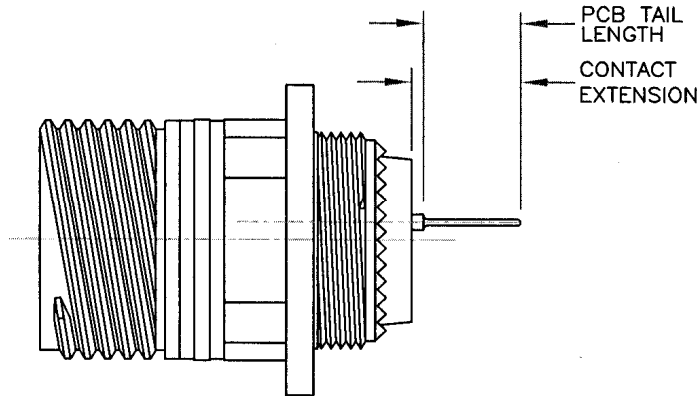
5331 Derry Ave, Suite O, Agoura Hills, CA 91301

Rev. D February 18, 2008

38999 SERIES II PCB TAIL SOCKETS (metric)

Page 3

Aerotronics Socket Part Number	Socket Type	PCB Tail		MS27472 MS27479	MS27664 MS27497	MS27499 MS27504 MS27513	MS27508	MS27474 MS27481
		O.D. ±0.03	Length Ref.					
		CONTACT EXTENSION ± 0.25 (mm)						
3510-1607-358	16	1.57	5.51	6.78	6.78	11.79	11.79	6.78
3510-1608-358	16	1.57	5.99	7.26	7.26	12.27	12.27	7.26
3510-1609-358	16	1.57	3.00	NONE	NONE	4.27	4.27	NONE
3510-1610-358	16	1.57	3.51	NONE	NONE	4.78	4.78	NONE
3510-1611-358	16	1.57	3.99	0.25	0.25	5.26	5.26	0.25
3510-1613-358	16	1.57	4.50	0.76	0.76	5.77	5.77	0.76
3510-1614-358	16	1.57	5.00	1.27	1.27	6.27	6.27	1.27
3510-1615-358	16	1.57	5.51	1.78	1.78	6.78	6.78	1.78
3510-1617-358	16	1.57	5.99	2.26	2.26	7.26	7.26	2.26
3510-1200-359	12	2.08	3.00	4.27	4.27	9.27	9.27	4.27
3510-1201-359	12	2.08	3.51	4.78	4.78	9.78	9.78	4.78
3510-1202-359	12	2.08	3.99	5.26	5.26	10.26	10.26	5.26
3510-1203-359	12	2.08	4.50	5.77	5.77	10.77	10.77	5.77
3510-1204-359	12	2.08	5.00	6.27	6.27	11.28	11.28	6.27
3510-1205-359	12	2.08	5.51	6.78	6.78	11.79	11.79	6.78
3510-1206-359	12	2.08	5.99	7.26	7.26	12.27	12.27	7.26
3510-1207-359	12	2.08	3.00	NONE	NONE	4.27	4.27	NONE
3510-1208-359	12	2.08	3.51	NONE	NONE	4.78	4.78	NONE
3510-1209-359	12	2.08	3.99	0.25	0.25	5.26	5.26	0.25
3510-1210-359	12	2.08	4.50	0.76	0.76	5.77	5.77	0.76
3510-1211-359	12	2.08	5.00	1.27	1.27	6.27	6.27	1.27
3510-1213-359	12	2.08	5.51	1.78	1.78	6.78	6.78	1.78
3510-1214-359	12	2.08	5.99	2.26	2.26	7.26	7.26	2.26



Aerotrionics Pin Part Number	Pin Type	PCB Tail		D38999/20 Metal shell	D38999/20 Composite	D38999/24 Metal shell	D38999/24 Composite
		O.D.	Length				
		±0.03	Ref.				
CONTACT EXTENSION ± 0.25 (mm)							
4511-2201-360	22D	0.51	10.67	8.48	8.46	8.46	7.62
3511-2202-360	22D	0.38	6.10	1.32	1.30	1.30	0.46
3511-2203-360	22D	0.38	8.64	3.86	3.84	3.84	3.00
3511-2204-360	22D	0.38	11.18	6.40	6.38	6.38	5.54
4511-2205-360	22D	0.48	13.72	8.94	8.92	8.92	8.08
3511-2205-360	22D	0.48	13.72	8.94	8.92	8.92	8.08
4511-2206-360	22D	0.51	13.67	13.18	13.16	13.16	12.32
4511-2207-360	22D	0.48	5.89	5.44	5.41	5.41	4.57
4511-2208-360	22D	0.64	6.22	9.14	9.12	9.12	8.28
4511-2210-360	22D	0.51	11.10	6.68	6.65	6.65	5.82
4511-2211-360	22D	0.48	6.76	4.57	4.55	4.55	3.71
4511-2212-360	22D	0.51	9.02	3.61	3.58	3.58	2.74
4511-2213-360	22D	0.53	8.76	8.31	8.28	8.28	7.44
4511-2214-360	22D	0.48	3.68	3.25	3.23	3.23	2.39
4511-2215-360	22D	0.53	7.19	6.73	6.71	6.71	5.87
4511-2221-360	22D	0.51	7.19	26.26	26.24	26.24	25.40
4511-2223-360	22D	0.64	9.27	11.56	11.53	11.53	10.69
4511-2225-360	22D	0.48	12.50	10.36	10.34	10.34	9.50
4511-2230-360	22D	0.51	5.59	0.97	0.94	0.94	NONE
4511-2231-360	22D	0.51	10.34	5.97	5.94	5.94	5.11
4511-2232-360	22D	0.51	11.43	5.54	5.51	5.51	4.67
4511-2233-360	22D	0.51	11.18	5.23	5.21	5.21	4.37
4511-2234-360	22D	0.51	7.04	2.67	2.64	2.64	1.80
4511-2236-360	22D	0.48	4.57	4.14	4.11	4.11	3.28
4511-2237-360	22D	0.76	19.38	15.06	15.04	15.04	14.20
4511-2241-360	22D	0.71	3.99	5.64	5.61	5.61	4.78
4511-2243-360	22D	0.48	3.99	5.00	4.98	4.98	4.14
3511-2250-360	22D	0.48	13.82	11.76	11.73	11.73	10.90
4511-2251-360	22D	0.48	5.99	10.19	10.16	10.16	9.32
4511-2252-360	22D	0.48	5.21	18.52	18.49	18.49	17.65
3511-2253-360	22D	0.48	12.70	15.16	15.14	15.14	14.30
4511-2254-360	22D	0.64	3.68	6.68	6.65	6.65	5.82
3511-2255-360	22D	0.64	11.30	14.35	14.33	14.33	13.49
4511-2256-360	22D	0.64	8.76	11.81	11.79	11.79	10.95
4511-2257-360	22D	0.74	3.00	8.79	8.76	8.76	7.92



5331 Derry Ave, Suite O, Agoura Hills, CA 91301

Rev. D February 18, 2008

D38999 (Series III) PCB TAIL PINS (metric)

Page 2

Aerotrronics Pin Part Number	Pin Type	PCB Tail		D38999/20 Metal shell	D38999/20 Composite	D38999/24 Metal shell	D38999/24 Composite
		O.D. ±0.03	Length Ref.				
		CONTACT EXTENSION ± 0.25 (mm)					
3511-2258-360	22D	0.64	13.84	16.79	16.76	16.76	15.93
3511-2259-360	22D	0.79	19.35	15.06	15.04	15.04	14.20
3511-2260-360	22D	0.64	13.08	6.63	6.60	6.60	5.77
4511-2261-360	22D	0.76	3.76	8.13	8.10	8.10	7.26
4511-2262-360	22D	0.48	3.48	7.37	7.34	7.34	6.50
4511-2263-360	22D	0.48	6.38	14.05	14.02	14.02	13.18
4511-2264-360	22D	0.05	6.78	2.46	2.44	2.44	1.60
4511-2265-360	22D	0.05	10.41	10.19	10.16	10.16	9.32
4511-2270-360	22D	0.48	4.19	8.10	8.08	8.08	7.24
4511-2271-360	22D	0.64	16.00	19.00	18.97	18.97	18.14
3511-2272-360	22D	0.48	19.53	15.24	15.21	15.21	14.38
3511-2273-360	22D	0.48	12.93	6.20	6.17	6.17	5.33
4511-2274-360	22D	0.48	3.30	0.64	0.61	0.61	NONE
4511-2275-360	22D	0.48	5.08	6.35	6.32	6.32	5.49
4511-2200-361	22M	0.51	11.43	5.26	5.23	5.23	4.39
4511-2201-361	22M	0.56	4.75	7.72	7.70	7.70	6.86
3511-2202-361	22M	0.48	14.48	12.95	12.93	12.93	12.09
4511-2202-361	22M	0.48	14.48	12.95	12.93	12.93	12.09
1511-2203-361	22M	0.48	9.60	5.31	5.28	5.28	4.45
3511-2203-361	22M	0.48	9.60	5.31	5.28	5.28	4.45
4511-2203-361	22M	0.48	9.60	5.31	5.28	5.28	4.45
4511-2204-361	22M	0.48	7.75	23.09	23.06	23.06	22.23
4511-2205-361	22M	0.48	7.75	1.19	1.17	1.17	0.33
1511-2206-361	22M	0.48	12.42	8.13	8.10	8.10	7.26
3511-2206-361	22M	0.48	12.42	8.13	8.10	8.10	7.26
4511-2206-361	22M	0.48	12.42	8.13	8.10	8.10	7.26
3511-2207-361	22M	0.48	19.41	17.25	17.22	17.22	16.38
4511-2207-361	22M	0.48	19.41	17.25	17.22	17.22	16.38
4511-2208-361	22M	0.48	5.08	1.45	1.42	1.42	0.58
4511-2209-361	22M	0.66	9.98	0.53	0.51	0.51	NONE
3511-2211-361	22M	0.48	7.62	2.24	2.21	2.21	1.37
4511-2211-361	22M	0.48	7.62	2.24	2.21	2.21	1.37
3511-2212-361	22M	0.51	8.94	3.58	3.56	3.56	2.72
4511-2213-361	22M	0.48	11.28	7.04	7.01	7.01	6.17
4511-2214-361	22M	0.48	2.29	8.05	8.03	8.03	7.19
1511-2216-361	22M	0.48	8.94	4.62	4.60	4.60	3.76
4511-2217-361	22M	0.48	3.00	4.29	4.27	4.27	3.43
4511-2218-361	22M	0.48	3.51	4.80	4.78	4.78	3.94
4511-2219-361	22M	0.48	3.99	5.28	5.26	5.26	4.42
4511-2221-361	22M	0.48	4.50	5.79	5.77	5.77	4.93
4511-2223-361	22M	0.48	5.00	6.30	6.27	6.27	5.44
4511-2225-361	22M	0.48	5.51	6.81	6.78	6.78	5.94
4511-2227-361	22M	0.48	5.99	7.29	7.26	7.26	6.43
3591-2230-361	22M	0.46	9.98	0.56	0.53	0.53	NONE
3591-2231-361	22M	0.46	16.33	6.91	6.88	6.88	6.05
3591-2233-361	22M	0.64	9.98	0.56	0.53	0.53	NONE
3591-2234-361	22M	0.46	16.33	6.91	6.88	6.88	6.05
3591-2236-361	22M	0.64	9.98	0.56	0.53	0.53	NONE
4511-2240-361	22M	0.48	3.00	5.13	5.11	5.11	4.27
4511-2241-361	22M	0.48	3.51	5.64	5.61	5.61	4.78
4511-2242-361	22M	0.48	3.99	6.12	6.10	6.10	5.26
4511-2243-361	22M	0.48	4.50	6.63	6.60	6.60	5.77



5331 Derry Ave, Suite O, Agoura Hills, CA 91301

Rev. D February 18, 2008

D38999 (Series III) PCB TAIL PINS (metric)

Page 3

Aerotrronics Pin Part Number	Pin Type	PCB Tail		D38999/20 Metal shell	D38999/20 Composite	D38999/24 Metal shell	D38999/24 Composite
		O.D.	Length				
		±0.03	Ref.	CONTACT EXTENSION ± 0.25 (mm)			
4511-2244-361	22M	0.48	5.00	7.14	7.11	7.11	6.27
4511-2245-361	22M	0.48	5.51	7.65	7.62	7.62	6.78
4511-2246-361	22M	0.48	5.99	8.13	8.10	8.10	7.26
4511-2247-361	22M	0.51	19.53	15.19	15.16	15.16	14.33
4511-2248-361	22M	0.48	8.08	11.43	11.40	11.40	10.57
4511-2249-361	22M	0.48	10.49	8.51	8.48	8.48	7.65
4511-2000-363	20	0.64	7.54	5.54	5.51	5.51	4.67
4511-2001-363	20	0.66	5.08	7.70	7.67	7.67	6.83
1511-2002-363	20	0.48	10.97	8.51	8.48	8.48	7.65
4511-2002-363	20	0.48	11.05	8.51	8.48	8.48	7.65
4511-2003-363	20	0.48	3.45	3.30	3.28	3.28	2.44
4511-2004-363	20	0.51	6.35	7.04	7.01	7.01	6.17
4511-2006-363	20	0.48	7.62	5.08	5.05	5.05	4.22
4511-2007-363	20	0.64	9.58	3.45	3.43	3.43	2.59
4511-2008-363	20	0.64	8.71	1.19	1.17	1.17	0.33
4511-2009-363	20	0.64	10.19	3.51	3.48	3.48	2.64
3511-2010-363	20	0.48	2.16	5.26	5.23	5.23	4.39
1511-2011-363	20	0.48	10.31	5.31	5.28	5.28	4.45
1511-2012-363	20	0.48	10.41	3.18	3.15	3.15	2.31
4511-2030-363	20	1.02	6.99	10.95	10.92	10.92	10.08
4511-2031-363	20	0.64	14.00	8.51	8.48	8.48	7.65
4511-2032-363	20	0.58	7.01	10.06	10.03	10.03	9.19
4511-2033-363	20	0.64	4.06	3.25	3.23	3.23	2.39
4511-2034-363	20	0.64	4.95	4.14	4.11	4.11	3.28
4511-2035-363	20	0.64	8.05	6.27	6.25	6.25	5.41
3511-2036-363	20	0.48	16.21	13.79	13.77	13.77	12.93
4511-2037-363	20	0.48	9.60	5.41	5.38	5.38	4.55
4511-2038-363	20	0.48	12.75	8.36	8.33	8.33	7.49
4511-2039-363	20	0.76	3.45	3.30	3.28	3.28	2.44
4511-2040-363	20	0.48	16.13	13.77	13.74	13.74	12.90
4511-2041-363	20	0.48	3.91	9.02	8.99	8.99	8.15
4511-2042-363	20	0.48	23.55	21.54	21.51	21.51	20.68
4511-2043-363	20	0.71	3.05	7.19	7.16	7.16	6.32
3511-2050-363	20	0.64	24.08	17.96	17.93	17.93	17.09
3511-2051-363	20	0.64	22.68	17.30	17.27	17.27	16.43
3511-2052-363	20	0.81	22.68	17.30	17.27	17.27	16.43
4511-2060-363	20	0.64	3.00	4.29	4.27	4.27	3.43
4511-2061-363	20	0.64	3.51	4.80	4.78	4.78	3.94
4511-2062-363	20	0.64	3.99	5.28	5.26	5.26	4.42
4511-2063-363	20	0.64	4.50	5.79	5.77	5.77	4.93
4511-2064-363	20	0.64	5.00	6.30	6.27	6.27	5.44
4511-2065-363	20	0.64	5.51	6.81	6.78	6.78	5.94
4511-2066-363	20	0.64	5.99	7.29	7.26	7.26	6.43
4511-2067-363	20	0.64	3.00	5.13	5.11	5.11	4.27
4511-2068-363	20	0.64	3.51	5.64	5.61	5.61	4.78
4511-2069-363	20	0.64	3.99	6.12	6.10	6.10	5.26
4511-2070-363	20	0.64	4.50	6.63	6.60	6.60	5.77
4511-2071-363	20	0.64	5.00	7.14	7.11	7.11	6.27
4511-2072-363	20	0.64	5.51	7.65	7.62	7.62	6.78
4511-2073-363	20	0.64	5.99	8.13	8.10	8.10	7.26
4511-2074-363	20	0.76	19.53	15.19	15.16	15.16	14.33
4511-2075-363	20	0.99	7.11	6.17	6.15	6.15	5.31



5331 Derry Ave, Suite O, Agoura Hills, CA 91301

Rev. D February 18, 2008

D38999 (Series III) PCB TAIL PINS (metric)

Page 4

Aerotrronics Pin Part Number	Pin Type	PCB Tail		D38999/20 Metal shell	D38999/20 Composite	D38999/24 Metal shell	D38999/24 Composite
		O.D. ±0.03	Length Ref.				
		CONTACT EXTENSION ± 0.25 (mm)					
4511-2076-363	20	0.66	9.75	10.54	10.52	10.52	9.68
3511-2077-363	20	0.48	16.31	13.77	13.74	13.74	12.90
4511-2078-363	20	0.48	7.62	8.08	5.05	5.05	4.22
4511-2079-363	20	0.48	11.05	8.51	5.06	5.06	7.65
4511-1600-364	16	1.57	13.92	8.53	8.51	8.51	7.67
4511-1601-364	16	1.57	8.69	8.26	8.23	8.23	7.39
4511-1602-364	16	1.57	7.80	1.19	1.17	1.17	0.33
4511-1603-364	16	1.22	13.89	8.51	8.48	8.48	7.65
4511-1604-364	16	1.57	9.83	2.46	2.44	2.44	1.60
4511-1605-364	16	1.45	3.00	8.79	8.76	8.76	7.92
4511-1606-364	16	1.27	4.32	6.78	6.76	6.76	5.92
4511-1607-364	16	1.57	19.10	15.01	14.99	14.99	14.15
4511-1608-364	16	1.57	2.29	3.56	3.53	3.53	2.69
4511-1609-364	16	1.57	13.92	11.05	11.02	11.02	10.19
4511-1610-364	16	0.64	11.07	8.53	8.51	8.51	7.67
4511-1611-364	16	0.64	4.19	3.25	3.23	3.23	2.39
4511-1612-364	16	0.64	5.08	4.14	4.11	4.11	3.28
4511-1613-364	16	0.64	6.05	5.11	5.08	5.08	4.24
4511-1618-364	16	0.64	2.16	5.26	5.23	5.23	4.39
4511-1620-364	16	1.02	13.92	6.17	6.15	6.15	5.31
4511-1621-364	16	1.02	15.98	8.23	8.20	8.20	7.37
4511-1640-364	16	1.57	3.00	4.29	4.27	4.27	3.43
4511-1641-364	16	1.57	3.51	4.80	4.78	4.78	3.94
4511-1642-364	16	1.57	3.99	5.28	5.26	5.26	4.42
4511-1643-364	16	1.57	4.50	5.79	5.77	5.77	4.93
4511-1644-364	16	1.57	5.00	6.30	6.27	6.27	5.44
4511-1645-364	16	1.57	5.51	6.81	6.78	6.78	5.94
4511-1646-364	16	1.57	5.99	7.29	7.26	7.26	6.43
4511-1647-364	16	1.57	3.00	5.13	5.11	5.11	4.27
4511-1648-364	16	1.57	3.51	5.64	5.61	5.61	4.78
4511-1649-364	16	1.57	3.99	6.12	6.10	6.10	5.26
4511-1650-364	16	1.57	4.50	6.63	6.60	6.60	5.77
4511-1651-364	16	1.57	5.00	7.14	7.11	7.11	6.27
4511-1652-364	16	1.57	5.51	7.65	7.62	7.62	6.78
4511-1653-364	16	1.57	5.99	8.13	8.10	8.10	7.26
4511-1654-364	16	1.22	22.71	17.30	17.27	17.27	16.43
4511-1655-364	16	1.52	19.53	15.19	15.16	15.16	14.33
4511-1656-364	16	1.57	7.65	5.41	5.38	5.38	4.55
4511-1657-364	16	1.57	11.02	6.35	6.32	6.32	5.49
4511-1658-364	16	0.99	3.05	7.19	7.16	7.16	6.32
4511-1200-365	12	2.06	16.33	8.51	8.48	8.48	7.65
4511-1201-365	12	2.06	12.01	4.19	4.17	4.17	3.33
4511-1203-365	12	2.06	13.28	5.46	5.44	5.44	4.60
4511-1204-365	12	2.06	3.99	5.03	5.00	5.00	4.17
4511-1205-365	12	2.06	5.41	8.18	8.15	8.15	7.32
4511-1206-365	12	2.06	6.20	7.19	7.16	7.16	6.32
4511-1210-365	12	2.06	3.68	3.25	3.23	3.23	2.39
4511-1211-365	12	2.06	4.57	4.14	4.11	4.11	3.28
4511-1230-365	12	2.06	7.62	12.90	12.88	12.88	12.04
4511-1240-365	12	2.06	3.00	4.29	4.27	4.27	3.43
4511-1241-365	12	2.06	3.51	4.80	4.78	4.78	3.94
4511-1242-365	12	2.06	3.99	5.28	5.26	5.26	4.42



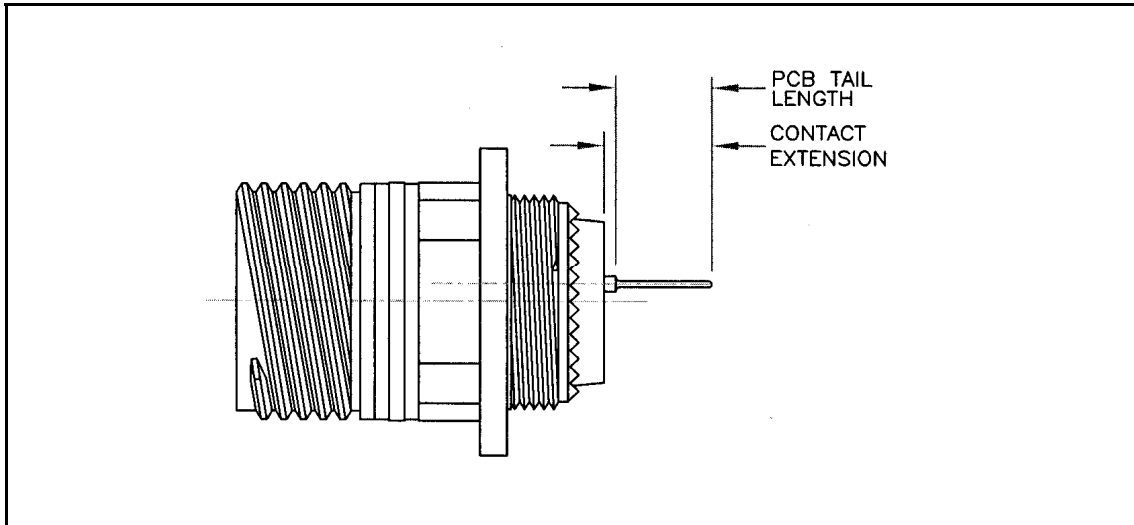
5331 Derry Ave, Suite O, Agoura Hills, CA 91301

Rev. D February 18, 2008

D38999 (Series III) PCB TAIL PINS (metric)

Page 5

Aerotronics Pin Part Number	Pin Type	PCB Tail		D38999/20 Metal shell	D38999/20 Composite	D38999/24 Metal shell	D38999/24 Composite
		O.D.	Length				
		± 0.03	Ref.	CONTACT EXTENSION ± 0.25 (mm)			
4511-1243-365	12	2.06	4.50	5.79	5.77	5.77	4.93
4511-1244-365	12	2.06	5.00	6.30	6.27	6.27	5.44
4511-1245-365	12	2.06	5.51	6.81	6.78	6.78	5.94
4511-1246-365	12	2.06	5.99	7.29	7.26	7.26	6.43
4511-1247-365	12	2.06	3.00	5.13	5.11	5.11	4.27
4511-1248-365	12	2.06	3.51	5.64	5.61	5.61	4.78
4511-1249-365	12	2.06	3.99	6.12	6.10	6.10	5.26
4511-1250-365	12	2.06	4.50	6.63	6.60	6.60	5.77
4511-1251-365	12	2.06	5.00	7.14	7.11	7.11	6.27
4511-1252-365	12	2.06	5.51	7.65	7.62	7.62	6.78
4511-1253-365	12	2.06	5.99	8.13	8.10	8.10	7.26
4511-1254-365	12	2.39	6.15	6.22	6.20	6.20	5.36



Aerotrionics Socket Part Number	Socket Type	PCB Tail		D38999/20	D38999/20 Composite	D38999/24 Metal shell	D38999/24 Composite
		O.D. ±0.03	Length Ref.				
CONTACT EXTENSION ± 0.25 (mm)							
3510-2200-348	22D	0.48	5.84	5.13	5.21	5.08	4.01
1510-2201-348	22D	0.48	14.48	12.70	12.78	12.65	11.58
3510-2201-348	22D	0.48	14.48	12.70	12.78	12.65	11.58
1510-2202-348	22D	0.48	10.69	8.26	8.33	8.20	7.14
3510-2202-348	22D	0.48	10.69	8.28	8.36	8.23	7.16
1510-2203-348	22D	0.48	7.14	4.70	4.78	4.65	3.58
3510-2203-348	22D	0.48	7.14	4.70	4.78	4.65	3.58
3510-2204-348	22D	0.48	14.68	12.24	12.32	12.19	11.13
3510-2205-348	22D	0.48	3.68	2.97	3.05	2.92	1.85
1510-2206-348	22D	0.48	5.56	3.12	3.20	3.07	2.01
3510-2206-348	22D	0.48	5.56	3.12	3.20	3.07	2.01
3510-2207-348	22D	0.51	13.74	13.03	13.11	12.98	11.91
3510-2208-348	22D	0.51	13.64	12.52	12.60	12.47	11.40
1510-2209-348	22D	0.48	10.11	21.46	21.54	21.41	20.35
3510-2209-348	22D	0.48	10.11	21.46	21.54	21.41	20.35
3510-2210-348	22D	0.48	3.45	3.96	4.04	3.91	2.84
3510-2211-348	22D	0.58	3.99	5.18	5.26	5.13	4.06
3510-2212-348	22D	0.48	12.40	10.16	10.24	10.11	9.04
3510-2213-348	22D	0.48	8.64	2.97	3.05	2.92	1.85
1510-2214-348	22D	0.48	9.22	6.81	6.88	6.76	5.69
3510-2214-348	22D	0.48	9.22	6.81	6.88	6.76	5.69
3510-2215-348	22D	0.48	9.60	5.05	5.13	5.00	3.94
1510-2216-348	22D	0.48	19.53	14.99	15.06	14.94	13.87
3510-2216-348	22D	0.48	19.53	14.99	15.06	14.94	13.87
3510-2218-348	22D	0.48	12.93	5.94	6.02	5.89	4.83
1510-2219-348	22D	0.48	7.06	21.46	21.54	21.41	20.35
3510-2230-348	22D	0.48	5.99	8.94	9.02	8.89	7.82
3510-2231-348	22D	0.48	4.57	3.86	3.94	3.81	2.74
3510-2232-348	22D	0.48	3.81	7.37	7.44	7.32	6.25
1510-2233-348	22D	0.48	13.00	15.95	16.03	15.90	14.83
3510-2234-348	22D	0.66	5.92	8.26	8.33	8.20	7.14
3510-2235-348	22D	0.48	3.18	0.86	0.94	0.81	NONE
3510-2236-348	22D	0.48	3.68	2.97	3.05	2.92	1.85
3510-2237-348	22D	0.48	5.54	4.83	4.90	4.78	3.71
1510-2238-348	22D	0.51	7.95	7.24	7.32	7.19	6.12



5331 Derry Ave, Suite O, Agoura Hills, CA 91301

Rev. D February 18, 2008

D38999 (Series III) PCB TAIL SOCKETS (metric)

Page 2

Aerotrronics Socket Part Number	Socket Type	PCB Tail		D38999/20	D38999/20 Composite	D38999/24 Metal shell	D38999/24 Composite
		O.D.	Length				
		±0.03	Ref.	CONTACT EXTENSION ± 0.25 (mm)			
3510-2239-348	22D	0.48	4.45	7.34	7.42	7.29	6.22
3510-2241-348	22D	0.71	4.01	5.38	5.46	5.33	4.27
3510-2242-348	22D	0.51	6.55	7.77	7.85	7.72	6.65
3510-2243-348	22D	0.48	2.29	2.16	2.24	2.11	1.04
1510-2244-348	22D	0.48	7.80	22.33	22.40	22.28	21.21
1510-2245-348	22D	0.48	12.04	7.67	7.75	7.62	6.55
3510-2247-348	22D	0.48	8.00	8.84	8.92	8.79	7.72
3510-2248-348	22D	0.48	5.61	21.79	21.87	21.74	20.68
3510-2251-348	22D	0.51	8.31	8.56	8.64	8.51	7.44
3510-2260-348	22D	0.48	6.99	5.23	5.31	5.18	4.11
3510-2262-348	22D	0.48	2.57	0.15	0.23	0.10	NONE
3510-2263-348	22D	0.48	3.81	1.40	1.47	1.35	0.28
1510-2264-348	22D	0.48	6.10	14.91	14.99	14.86	13.79
3510-2264-348	22D	0.48	6.10	14.91	14.99	14.86	13.79
3510-2265-348	22D	0.48	4.45	6.07	6.15	6.02	4.95
3510-2266-348	22D	0.48	4.45	17.45	17.53	17.40	16.33
3510-2267-348	22D	0.48	4.45	7.14	7.21	7.09	6.02
3510-2268-348	22D	0.48	4.57	6.60	6.68	6.55	5.49
3510-2269-348	22D	0.51	10.03	11.58	11.66	11.53	10.46
1510-2271-348	22D	0.74	8.36	9.70	9.78	9.65	8.59
3510-2271-348	22D	0.74	8.36	9.70	9.78	9.65	8.59
3510-2272-348	22D	0.48	3.99	5.05	5.13	5.00	3.94
3510-2273-348	22D	0.48	5.41	8.20	8.28	8.15	7.09
3510-2274-348	22D	0.48	6.20	7.21	7.29	7.16	6.10
3510-2275-348	22D	0.48	6.15	6.20	6.27	6.15	5.08
3510-2276-348	22D	0.76	7.62	6.91	6.99	6.86	5.79
3510-2280-348	22D	0.64	12.70	12.22	12.29	12.12	11.10
3510-2281-348	22D	0.48	23.27	17.60	17.68	17.50	16.48
3510-2282-348	22D	0.48	4.62	10.13	10.21	10.03	9.02
3510-2283-348	22D	0.48	7.95	0.99	1.07	0.89	NONE
3510-2284-348	22D	0.81	23.27	17.60	17.68	17.50	16.48
3510-2285-348	22D	0.48	18.21	41.17	41.25	41.07	40.06
3510-2286-348	22D	0.48	5.41	8.31	8.38	8.20	7.19
3510-2287-348	22D	0.74	7.11	5.89	5.97	5.79	4.78
3510-2288-348	22D	0.48	10.41	10.26	10.34	10.16	9.14
3510-2200-349	22M	0.48	3.00	5.38	5.46	5.33	4.27
3510-2201-349	22M	0.48	3.51	5.89	5.97	5.84	4.78
3510-2202-349	22M	0.48	3.99	6.38	6.45	6.32	5.26
3510-2203-349	22M	0.48	4.50	6.88	6.96	6.83	5.77
3510-2204-349	22M	0.48	5.00	7.39	7.47	7.34	6.27
3510-2205-349	22M	0.48	5.51	7.90	7.98	7.85	6.78
3510-2206-349	22M	0.48	5.99	8.38	8.46	8.33	7.26
3510-2207-349	22M	0.48	3.00	4.22	4.29	4.14	3.10
3510-2208-349	22M	0.48	3.51	4.72	4.80	4.62	3.61
3510-2209-349	22M	0.48	3.99	5.21	5.28	5.08	4.09
3510-2210-349	22M	0.48	4.50	5.72	5.79	5.56	4.60
3510-2211-349	22M	0.48	5.00	6.22	6.30	6.05	5.11
3510-2212-349	22M	0.48	5.51	6.73	6.81	6.53	5.61
3510-2213-349	22M	0.48	5.99	7.21	7.29	6.99	6.10
1510-2251-349	22M	0.76	8.36	9.70	9.78	9.65	8.59
3510-2251-349	22M	0.76	8.36	9.70	9.78	9.65	8.59
1510-22LF0-349	22M	0.48	5.00	6.32	6.40	6.27	5.21



5331 Derry Ave, Suite O, Agoura Hills, CA 91301

Rev. D February 18, 2008

D38999 (Series III) PCB TAIL SOCKETS (metric)

Page 3

Aerotrronics Socket Part Number	Socket Type	PCB Tail		D38999/20	D38999/20 Composite	D38999/24 Metal shell	D38999/24 Composite
		O.D.	Length				
		±0.03	Ref.	CONTACT EXTENSION ± 0.25 (mm)			
1510-22LF1-349	22M	0.48	3.99	5.31	5.38	5.26	4.19
1510-22LF2-349	22M	0.48	3.00	4.32	4.39	4.27	3.20
1510-2000-351	20	0.66	10.16	3.23	3.30	3.18	2.11
1510-2001-351	20	0.66	5.08	7.42	7.49	7.37	6.30
1510-2002-351	20	0.48	11.05	8.26	8.33	8.20	7.14
1510-2003-351	20	0.48	3.45	3.96	4.04	3.91	2.84
1510-2004-351	20	0.58	7.01	9.78	9.86	9.73	8.66
3510-2004-351	20	0.58	7.01	9.78	9.86	9.73	8.66
1510-2005-351	20	0.48	7.65	4.83	4.90	4.78	3.71
1510-2006-351	20	0.48	3.68	2.97	3.05	2.92	1.85
3510-2007-351	20	0.48	4.57	3.86	3.94	3.81	2.74
1510-2008-351	20	0.48	5.54	4.83	4.90	4.78	3.71
3510-2009-351	20	0.48	10.39	2.92	3.00	2.87	1.80
1510-2010-351	20	0.48	16.23	13.51	13.59	13.46	12.40
1510-2011-351	20	0.48	4.45	7.14	7.21	7.09	6.02
1510-2012-351	20	0.74	8.36	9.70	9.78	9.65	8.59
1510-2013-351	20	0.48	3.99	5.05	5.13	5.00	3.94
1510-2014-351	20	0.99	8.26	17.42	17.50	17.37	16.31
1510-2015-351	20	0.48	5.41	8.20	8.28	8.15	7.09
1510-2016-351	20	0.48	6.20	7.21	7.29	7.16	6.10
1510-2017-351	20	0.48	23.27	17.60	17.68	17.55	16.48
1510-2018-351	20	0.81	23.27	17.60	17.68	17.55	16.48
1510-2019-351	20	0.48	4.50	10.82	10.90	10.77	9.70
1510-2029-351	20	0.76	10.03	16.69	16.76	16.64	15.57
1510-2031-351	20	0.76	7.62	16.69	16.76	16.64	15.57
3510-2032-351	20	0.48	5.08	15.44	15.52	15.39	14.33
3510-2033-351	20	0.51	2.29	2.16	2.24	2.11	1.04
3510-2036-351	20	0.48	5.84	5.13	5.21	5.03	4.01
3510-2037-351	20	0.48	11.51	8.26	8.33	8.15	7.14
3510-2040-351	20	1.22	4.88	11.91	11.99	11.86	10.80
1510-2041-351	20	0.48	5.97	4.50	4.57	4.45	3.38
1510-2042-351	20	0.48	12.04	7.67	7.75	7.62	6.55
1510-2043-351	20	0.48	23.55	16.15	16.23	16.05	15.04
1510-2044-351	20	0.48	13.67	11.05	11.13	10.95	9.93
1510-2045-351	20	0.48	12.22	4.83	4.90	4.72	3.71
3510-2050-351	20	0.76	7.62	7.47	7.54	7.42	6.35
3510-2051-351	20	0.76	7.62	14.27	14.35	14.22	13.16
3510-2060-351	20	0.64	3.00	5.38	5.46	5.33	4.27
3510-2061-351	20	0.64	3.51	5.89	5.97	5.84	4.78
3510-2062-351	20	0.64	3.99	6.38	6.45	6.32	5.26
3510-2063-351	20	0.64	4.50	6.88	6.96	6.83	5.77
3510-2064-351	20	0.64	5.00	7.39	7.47	7.34	6.27
3510-2065-351	20	0.64	5.51	7.90	7.98	7.85	6.78
3510-2066-351	20	0.64	5.99	8.38	8.46	8.33	7.26
3510-2071-351	20	0.64	3.00	4.22	4.29	4.17	3.10
3510-2072-351	20	0.64	3.51	4.72	4.80	4.67	3.61
3510-2073-351	20	0.64	3.99	5.21	5.28	5.16	4.09
3510-2074-351	20	0.64	4.50	5.72	5.79	5.66	4.60
3510-2075-351	20	0.64	5.00	6.22	6.30	6.17	5.11
3510-2076-351	20	0.64	5.51	6.73	6.81	6.68	5.61
3510-2077-351	20	0.64	5.99	7.21	7.29	7.16	6.10
3510-2080-351	20	0.61	16.13	11.48	11.56	11.43	10.36



5331 Derry Ave, Suite O, Agoura Hills, CA 91301

Rev. D February 18, 2008

D38999 (Series III) PCB TAIL SOCKETS (metric)

Page 4

Aerotrronics Socket Part Number	Socket Type	PCB Tail		D38999/20	D38999/20 Composite	D38999/24 Metal shell	D38999/24 Composite
		O.D.	Length				
		±0.03	Ref.	CONTACT EXTENSION ± 0.25 (mm)			
3510-2081-351	20	0.99	7.11	5.89	5.97	5.84	4.78
3510-2082-351	20	0.48	8.20	5.97	6.05	5.92	4.85
3510-2083-351	20	0.48	9.91	7.29	7.37	7.24	6.17
3510-2084-351	20	0.48	9.40	6.78	6.86	6.73	5.66
3510-2086-351	20	0.48	9.65	13.54	13.61	13.49	12.42
3510-2087-351	20	0.48	7.32	4.70	4.78	4.65	3.58
3510-1600-352	16	0.64	11.07	5.38	5.46	5.33	4.27
3510-1601-352	16	0.64	4.67	2.97	3.05	2.92	1.85
3510-1602-352	16	0.64	5.56	3.86	3.94	3.81	2.74
3510-1603-352	16	0.64	4.45	7.14	7.21	7.09	6.02
3510-1604-352	16	1.02	4.45	7.14	7.21	7.09	6.02
3510-1605-352	16	1.57	8.26	17.42	17.50	17.37	16.31
3510-1606-352	16	1.57	2.29	2.16	2.24	2.11	1.04
3510-1607-352	16	1.02	13.87	5.89	5.97	5.84	4.78
3510-1609-352	16	1.57	7.62	16.69	16.76	16.64	15.57
3510-1610-352	16	0.74	7.62	8.18	8.26	8.13	7.06
3510-1611-352	16	0.74	8.38	8.94	9.02	8.89	7.82
1510-1618-352	16	1.59	8.36	9.70	9.78	9.65	8.59
1510-1619-352	16	1.16	21.59	10.82	10.90	10.77	9.70
3510-1621-352	16	1.57	3.00	5.38	5.46	5.33	4.27
3510-1623-352	16	1.57	3.51	5.89	5.97	5.84	4.78
3510-1625-352	16	1.57	3.99	6.38	6.45	6.32	5.26
3510-1626-352	16	1.57	4.50	6.88	6.96	6.83	5.77
3510-1627-352	16	1.57	5.00	7.39	7.47	7.34	6.27
3510-1628-352	16	1.57	5.51	7.90	7.98	7.85	6.78
3510-1629-352	16	1.57	5.99	8.38	8.46	8.33	7.26
3510-1630-352	16	1.57	3.00	4.22	4.29	4.17	3.10
3510-1631-352	16	1.57	3.51	4.72	4.80	4.67	3.61
3510-1632-352	16	1.57	3.99	5.21	5.28	5.16	4.09
3510-1633-352	16	1.57	4.50	5.72	5.79	5.66	4.60
3510-1634-352	16	1.57	5.00	6.22	6.30	6.17	5.11
3510-1635-352	16	1.57	5.51	6.73	6.81	6.68	5.61
3510-1636-352	16	1.57	5.99	7.21	7.29	7.16	6.10
3510-1637-352	16	0.71	10.67	5.61	5.69	5.51	4.50
3510-1638-352	16	1.57	7.62	16.79	16.87	16.74	15.67
3510-1200-353	12	2.08	3.00	5.38	5.46	5.33	4.27
3510-1201-353	12	2.08	18.82	10.74	10.82	10.69	9.63
3510-1202-353	12	2.08	3.68	2.97	3.05	2.92	1.85
3510-1203-353	12	2.08	7.01	9.40	9.47	9.35	8.28
3510-1204-353	12	2.08	4.57	3.86	3.94	3.81	2.74
3510-1205-353	12	2.08	3.51	5.89	5.97	5.84	4.78
3510-1206-353	12	2.39	8.26	17.42	17.50	17.37	16.31
3510-1207-353	12	2.39	3.99	6.38	6.45	6.32	5.26
3510-1208-353	12	2.39	4.50	6.88	6.96	6.83	5.77
3510-1209-353	12	2.39	5.00	7.39	7.47	7.34	6.27
3510-1210-353	12	2.39	5.51	7.90	7.98	7.85	6.78
3510-1211-353	12	2.39	5.99	8.38	8.46	8.33	7.26
1510-1213-353	12	2.39	8.36	9.70	9.78	9.65	8.59
3510-1214-353	12	2.39	7.11	7.14	7.21	7.04	6.02
3510-1230-353	12	2.39	3.00	4.22	4.29	4.17	3.10
3510-1231-353	12	2.39	3.51	4.72	4.80	4.67	3.61
3510-1232-353	12	2.39	3.99	5.21	5.28	5.16	4.09



5331 Derry Ave, Suite O, Agoura Hills, CA 91301

Rev. D February 18, 2008

D38999 (Series III) PCB TAIL SOCKETS (metric)

Page 5

Aerotrionics Socket Part Number	Socket Type	PCB Tail		D38999/20	D38999/20 Composite	D38999/24 Metal shell	D38999/24 Composite
		O.D.	Length				
		± 0.03	Ref.	CONTACT EXTENSION ± 0.25 (mm)			
3510-1233-353	12	2.39	4.50	5.72	5.79	5.66	4.60
3510-1234-353	12	2.39	5.00	6.22	6.30	6.17	5.11
3510-1235-353	12	2.39	5.51	6.73	6.81	6.68	5.61
3510-1236-353	12	2.39	5.99	7.21	7.29	7.16	6.10