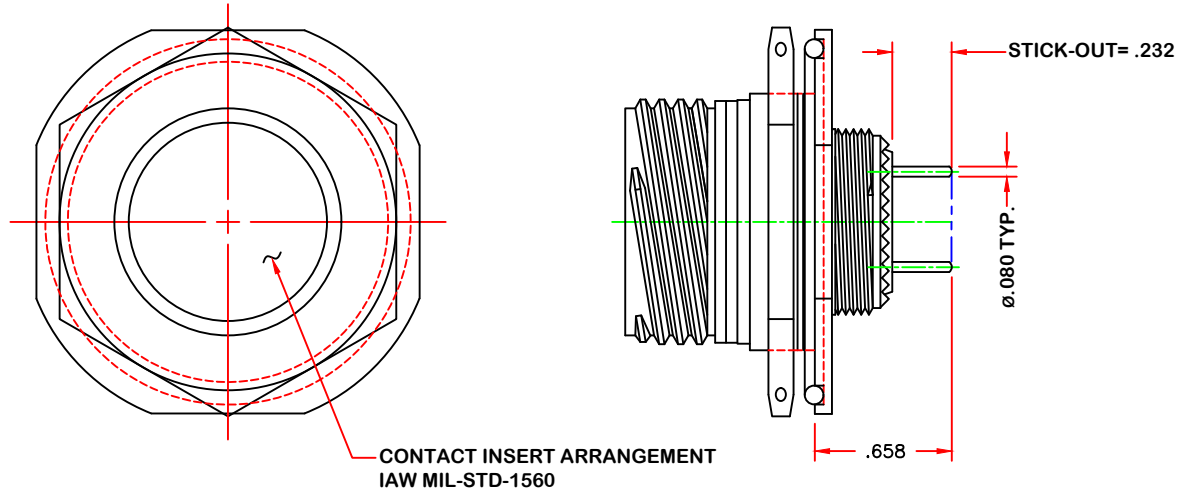


THIS DOCUMENT CONTAINS PROPRIETARY INFORMATION AND SUCH INFORMATION MAY NOT BE DISCLOSED TO OTHERS FOR ANY PURPOSE OR USED FOR MANUFACTURING PURPOSES WITHOUT WRITTEN PERMISSION FROM AEROTRONICS, INC.

REVISIONS			
REV		DATE	APPRV'D
NC	PRELIMINARY	11/11/20	LAV



A24WE06BN-1246-353T

- AEROTRONICS
- JAM NUT CONNECTOR
- SHELL FINISH: W=OLIVE DRAB; F=NICKEL
- SHELL SIZE CODE 17
- CONTACT INSERT ARRANGEMENT
- CONTACT TYPE: B=CONNECTOR SUPPLIED WITH PCB SOCKET CONTACT
- POLARIZATION POSITION
- SEQUENTIAL NUMBER FOR EACH PC TAIL CONTACT P/N

5. CONNECTORS SHALL BE MARKED WITH MIL PART NUMBERS.
 4. SUFFIX "T" AT THE END OF CONTACT P/N DENOTES TIN DIPPING.
 3. SOCKET CONTACT P/N 3510-1246-353T.
 2. CONTACTS IAW MIL-C-39029/56-353, PC TAIL.
 1. CONNECTOR SHALL MEET ALL APPLICABLE REQUIREMENTS IAW D38999/24.
- NOTES: UNLESS OTHERWISE SPECIFIED

DO NOT SCALE PRINT	
UNLESS OTHERWISE SPECIFIED DIMENSIONS ARE IN INCHES	
TOLERANCES:	ANGLES: ±2°
DECIMALS:	
.XX ±.01	
.XXX ±.005	
.XXXX ±.0005	

AEROTRONICS		
CONNECTOR, ELECTRICAL, RECEPTACLE, SERIES III (MIL-C-38999)		
CUSTOMER DRAWING		CAGE CODE 1B6X9
DWG NO. A24WXXXBN-1246-353		REV. NC
SCALE: --	DATE: 11/11/20	PAGE: 1/1