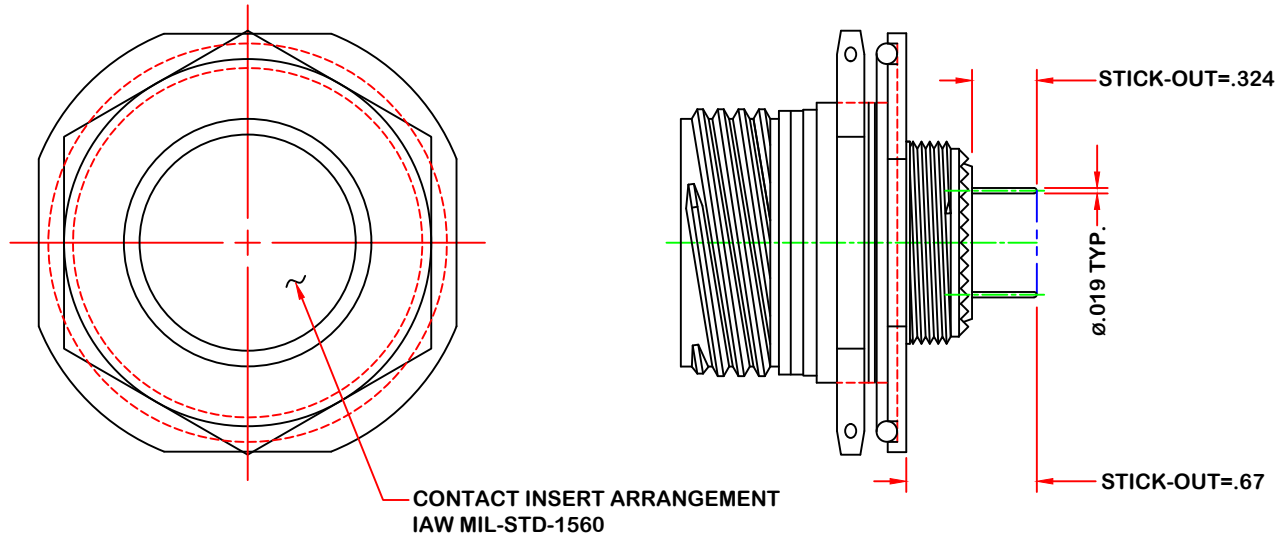
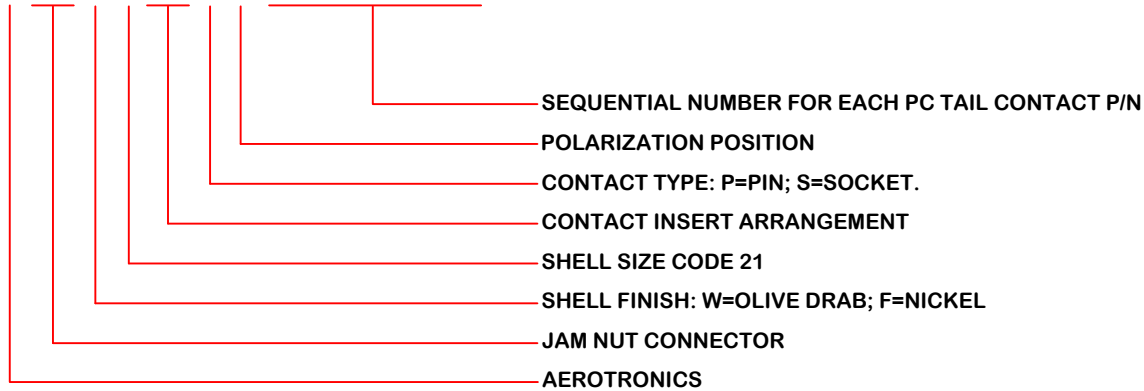


THIS DOCUMENT CONTAINS PROPRIETARY INFORMATION AND SUCH INFORMATION MAY NOT BE DISCLOSED TO OTHERS FOR ANY PURPOSE OR USED FOR MANUFACTURING PURPOSES WITHOUT WRITTEN PERMISSION FROM AEROTRONICS, INC.

REVISIONS			
REV		DATE	APPRV'D
NC1	UPDATED PER ELTA.	06/24/20	LAV



## A24WG35SX-2202-348T



5. CONNECTORS SHALL BE MARKED WITH MIL PART NUMBERS.
  4. SUFFIX "T" AT THE END OF CONTACT P/N DENOTES TIN DIPPING.
  3. SOCKET CONTACT P/N 3510-2202-348T.
  2. CONTACTS IAW MIL-C-39029/56-348, PC TAIL.
  1. CONNECTOR SHALL MEET ALL APPLICABLE REQUIREMENTS IAW D38999/24.
- NOTES: UNLESS OTHERWISE SPECIFIED

DO NOT SCALE PRINT	
UNLESS OTHERWISE SPECIFIED DIMENSIONS ARE IN INCHES	
TOLERANCES:	ANGLES: ±2°
DECIMALS:	
.XX ±.01	
.XXX ±.005	
.XXXX ±.0005	

<b>AEROTRONICS</b>	
CONNECTOR, ELECTRICAL, RECEPTACLE, SERIES III (MIL-C-38999)	
CUSTOMER DRAWING	CAGE CODE 1B6X9
DWG NO. A24WXXSX-2202-348T	REV. NC1
SCALE: --	DATE: 05/18/20 PAGE: -