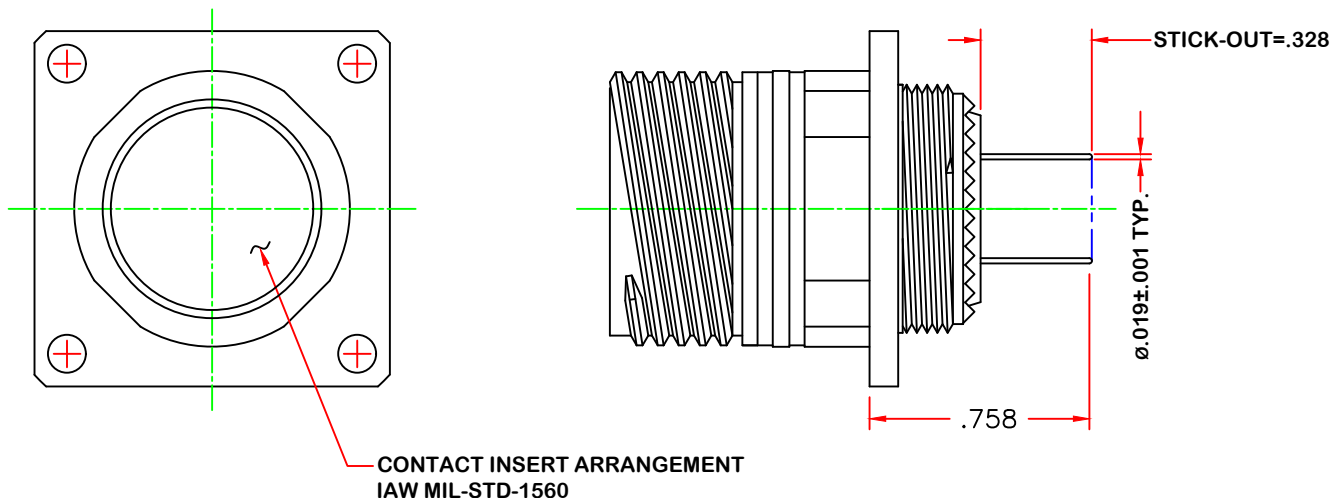


THIS DOCUMENT CONTAINS PROPRIETARY INFORMATION AND SUCH INFORMATION MAY NOT BE DISCLOSED TO OTHERS FOR ANY PURPOSE OR USED FOR MANUFACTURING PURPOSES WITHOUT WRITTEN PERMISSION FROM AEROTRONICS, INC.

REVISIONS			
REV		DATE	APPRV'D
NC1	ADDED EXTENSION FROM FLANGE	01/24/24	LAV



A20ZC35PN-2206-361

- SEQUENTIAL NUMBER FOR EACH PC TAIL CONTACT P/N
- POLARIZATION POSITION
- CONTACT TYPE: P= PIN; S= SOCKET
- CONTACT INSERT ARRANGEMENT
- SHELL SIZE CODE 13
- SHELL FINISH: Z= ZINC NICKEL
- WALL MOUNT CONNECTOR
- AEROTRONICS

- CONNECTORS SHALL BE MARKED WITH MIL PART NUMBERS.
 - PIN CONTACT P/N 4511-2206-361 (22 PER CONNECTOR).
 - CONTACTS IAW MIL-C-39029/58-361, PC TAIL.
 - CONNECTOR SHALL MEET ALL APPLICABLE REQUIREMENTS IAW D38999/20.
- NOTES: UNLESS OTHERWISE SPECIFIED

DO NOT SCALE PRINT
 UNLESS OTHERWISE SPECIFIED
 DIMENSIONS ARE IN INCHES
 TOLERANCES:
 DECIMALS: ANGLES: ±2'
 .XX ±.10
 .XXX ±.010
 .XXXX ±.0010

<h1>AEROTRONICS</h1>	
CONNECTOR, ELECTRICAL, RECEPTACLE, SERIES III (MIL-C-38999)	
CUSTOMER DRAWING	CAGE CODE 1B6X9
DWG NO. A20XX35XX-2206-361	REV. NC1
SCALE: --	DATE: 01/17/24 PAGE: -