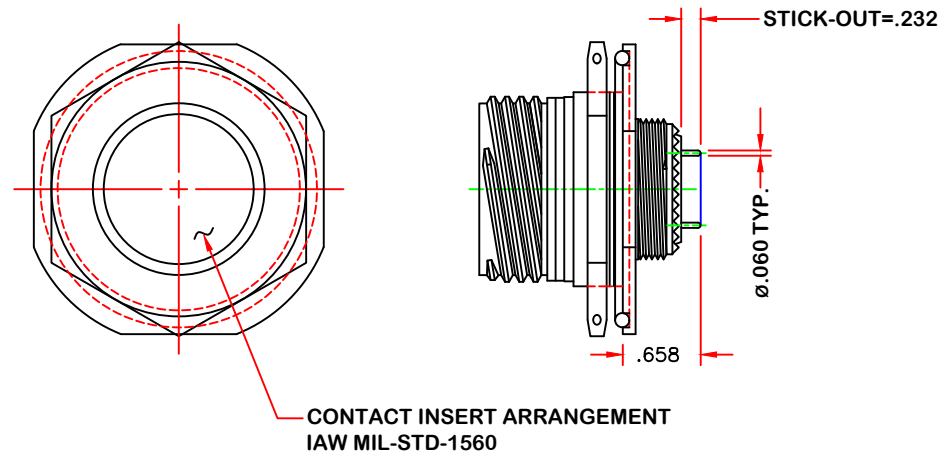


THIS DOCUMENT CONTAINS PROPRIETARY INFORMATION AND SUCH INFORMATION MAY NOT BE DISCLOSED TO OTHERS FOR ANY PURPOSE OR USED FOR MANUFACTURING PURPOSES WITHOUT WRITTEN PERMISSION FROM AEROTRONICS, INC.

REVISIONS			
REV		DATE	APPRV'D
NC	PRELIMINARY	11/11/20	LAV



A24WC04AN-1695-364T

- SEQUENTIAL NUMBER FOR EACH PC TAIL CONTACT P/N
- POLARIZATION POSITION
- CONTACT TYPE: A= CONNECTOR SUPPLIED WITH PCB PIN CONTACT
- CONTACT INSERT ARRANGEMENT
- SHELL SIZE CODE 13
- SHELL FINISH: W=OLIVE DRAB; F=NICKEL
- JAM NUT CONNECTOR
- AEROTRONICS

- CONNECTORS SHALL BE MARKED WITH MIL PART NUMBERS.
 - SUFFIX "T" AT THE END OF CONTACT P/N DENOTES TIN DIPPING.
 - PIN CONTACT P/N 4511-1695-364T.
 - CONTACTS IAW MIL-C-39029/58-364, PC TAIL.
 - CONNECTOR SHALL MEET ALL APPLICABLE REQUIREMENTS IAW D38999/24.
- NOTES: UNLESS OTHERWISE SPECIFIED

DO NOT SCALE PRINT	
UNLESS OTHERWISE SPECIFIED DIMENSIONS ARE IN INCHES	
TOLERANCES:	ANGLES: ±2°
DECIMALS:	
.XX ±.01	
.XXX ±.005	
.XXXX ±.0005	

AEROTRONICS

CONNECTOR, ELECTRICAL,
RECEPTACLE, SERIES III
(MIL-C-38999)

CUSTOMER DRAWING		CAGE CODE 1B6X9
DWG NO.	REV.	
A24WXXXAN-1695-364T	NC	
SCALE: --	DATE: 11/11/20	PAGE: 1/1