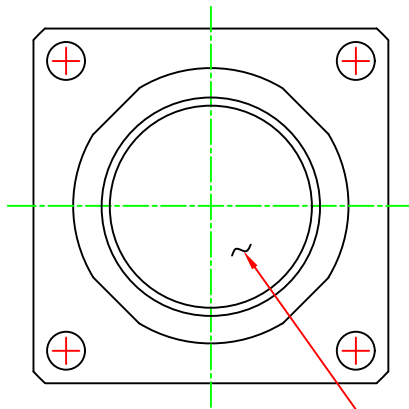
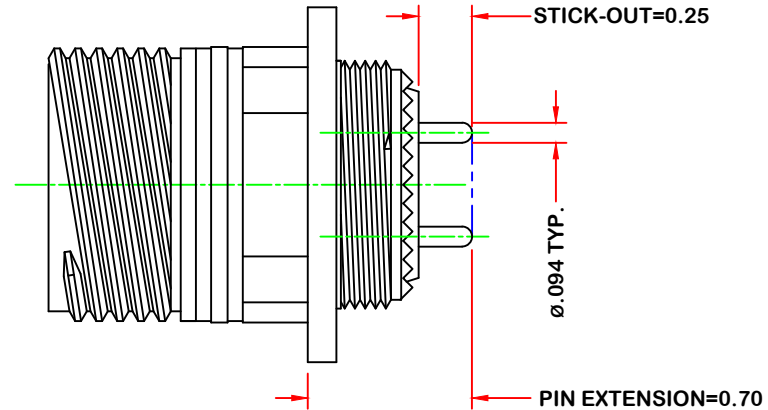


THIS DOCUMENT CONTAINS PROPRIETARY INFORMATION AND SUCH INFORMATION MAY NOT BE DISCLOSED TO OTHERS FOR ANY PURPOSE OR USED FOR MANUFACTURING PURPOSES WITHOUT WRITTEN PERMISSION FROM AEROTRONICS, INC.

REVISIONS			
REV		DATE	APPRV'D
NC	PRELIMINARY	09/08/20	DY



CONTACT INSERT ARRANGEMENT
IAW MIL-STD-1560



A20WJ19PN-1254-365T

- AEROTRONICS
- WALL MOUNT CONNECTOR
- SHELL FINISH: W=OLIVE DRAB; F=NICKEL
- SHELL SIZE CODE 25
- CONTACT INSERT ARRANGEMENT
- CONTACT TYPE: CONNECTOR SUPPLIED WITH PCB PIN CONTACT
- POLARIZATION POSITION
- SEQUENTIAL NUMBER FOR EACH PC TAIL CONTACT P/N

5. CONNECTORS SHALL BE MARKED WITH MIL PART NUMBERS.
 4. SUFFIX "T" AT THE END OF CONTACT P/N DENOTES TIN DIPPING.
 3. PIN CONTACT P/N 4511-1254-365T.
 2. CONTACTS IAW MIL-C-39029/58-365, PC TAIL.
 1. CONNECTOR SHALL MEET ALL APPLICABLE REQUIREMENTS IAW D38999/20.
- NOTES: UNLESS OTHERWISE SPECIFIED

DO NOT SCALE PRINT	
UNLESS OTHERWISE SPECIFIED DIMENSIONS ARE IN INCHES	
TOLERANCES:	ANGLES: ±2°
DECIMALS:	
.XX ±.05	
.XXX ±.005	
.XXXX ±.0005	

AEROTRONICS	
CONNECTOR, ELECTRICAL, RECEPTACLE, SERIES III (MIL-C-38999)	
CUSTOMER DRAWING	CAGE CODE 1B6X9
DWG NO. A20WXXX-1254-365	REV. NC
SCALE: --	DATE: 09/08/20 PAGE: -