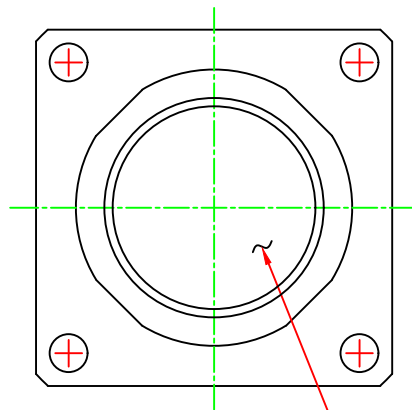
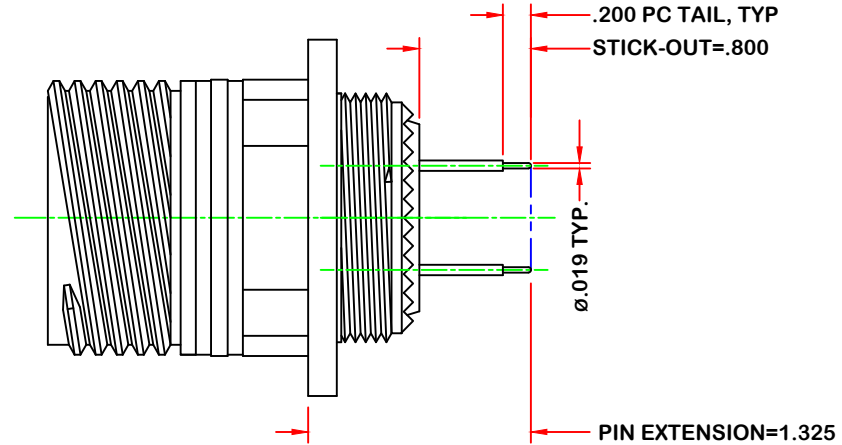


THIS DOCUMENT CONTAINS PROPRIETARY INFORMATION AND SUCH INFORMATION MAY NOT BE DISCLOSED TO OTHERS FOR ANY PURPOSE OR USED FOR MANUFACTURING PURPOSES WITHOUT WRITTEN PERMISSION FROM AEROTRONICS, INC.

| REVISIONS |                                     |          |         |
|-----------|-------------------------------------|----------|---------|
| REV       |                                     | DATE     | APPRV'D |
| NC1       | PRELIM- ADDED ALIGNMENT DISC IN P/N | 01/14/20 | DY      |
| NC2       | PRELIM- REVISED PC TAIL LENGTH      | 02/25/20 | DY      |



CONTACT INSERT ARRANGEMENT  
IAW MIL-STD-1560



## A20WF35BX-2266B-348TA

- ALIGNMENT DISC
- SEQUENTIAL NUMBER FOR EACH PC TAIL CONTACT P/N
- POLARIZATION POSITION
- CONTACT TYPE: B=CONNECTOR SUPPLIED WITH PCB SOCKET CONTACT
- CONTACT INSERT ARRANGEMENT
- SHELL SIZE CODE 19
- SHELL FINISH: W=OLIVE DRAB; F=NICKEL
- WALL MOUNT CONNECTOR
- AEROTRONICS

5. CONNECTORS SHALL BE MARKED WITH MIL PART NUMBERS.
  4. SUFFIX "T" AT THE END OF CONTACT P/N DENOTES TIN DIPPING.
  3. PIN CONTACT P/N 3510-2266B-348T.
  2. CONTACTS IAW MIL-C-39029/56-348, PC TAIL.
  1. CONNECTOR SHALL MEET ALL APPLICABLE REQUIREMENTS IAW D38999/20.
- NOTES: UNLESS OTHERWISE SPECIFIED

|   |             |
|---|-------------|
| DO NOT SCALE PRINT                                  |             |
| UNLESS OTHERWISE SPECIFIED DIMENSIONS ARE IN INCHES |             |
| TOLERANCES:   | ANGLES: ±2° |
| DECIMALS:   |             |
| .XX ±.01  |             |
| .XXX ±.005  |             |
| .XXXX ±.0005  |             |

|   |           |
|---|-----------|
| <b>AEROTRONICS</b>  |           |
| CONNECTOR, ELECTRICAL,<br>RECEPTACLE, SERIES III<br>(MIL-C-38999) |           |
| CUSTOMER DRAWING  |           |
| DWG NO.   | CAGE CODE |
| A20WXXXBX-2266B-348   | 1B6X9     |
| SCALE: --   | REV.      |
| DATE: 01/06/20  | NC2       |
| PAGE: -   |           |