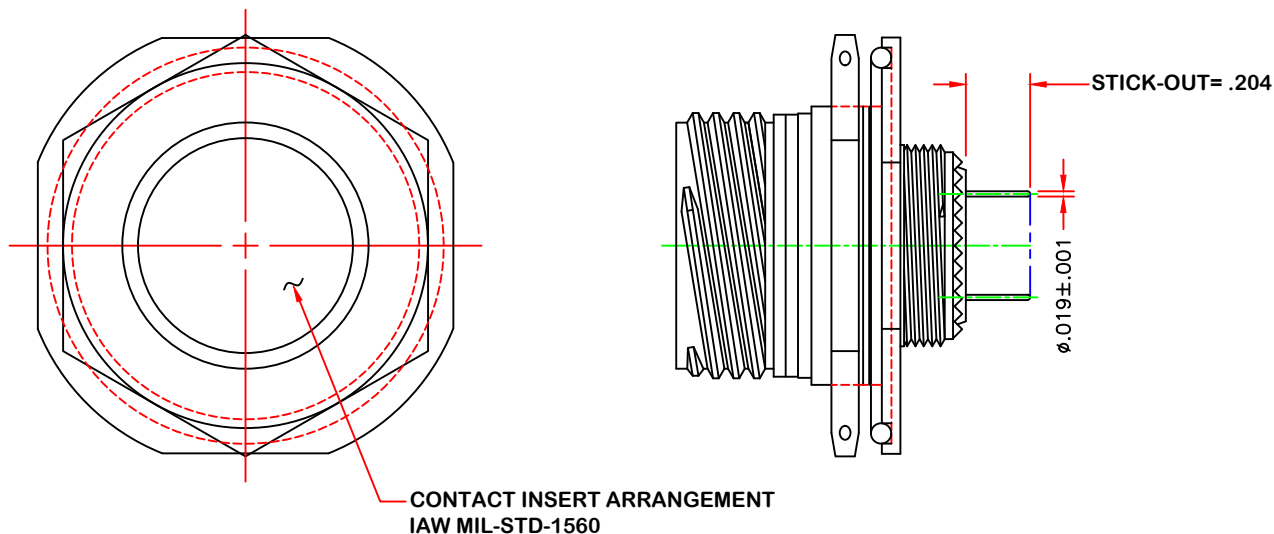


THIS DOCUMENT CONTAINS PROPRIETARY INFORMATION AND SUCH INFORMATION MAY NOT BE DISCLOSED TO OTHERS FOR ANY PURPOSE OR USED FOR MANUFACTURING PURPOSES WITHOUT WRITTEN PERMISSION FROM AEROTRONICS, INC.

REVISIONS			
REV		DATE	APPRV'D
NC	RELEASED	01/10/24	LAV



A24WJ35SN-2260-348

- SEQUENTIAL NUMBER FOR EACH PC TAIL CONTACT P/N
- POLARIZATION POSITION
- CONTACT TYPE: P= PIN; S= SOCKET
- CONTACT INSERT ARRANGEMENT
- SHELL SIZE CODE 25
- SHELL FINISH: W=OLIVE DRAB; F=NICKEL
- JAM NUT CONNECTOR
- AEROTRONICS

- CONNECTORS SHALL BE MARKED WITH MIL PART NUMBERS.
 - SOCKET CONTACT P/N 3510-2260-348.
 - CONTACTS IAW MIL-C-39029/56-348, PC TAIL.
 - CONNECTOR SHALL MEET ALL APPLICABLE REQUIREMENTS IAW D38999/24.
- NOTES: UNLESS OTHERWISE SPECIFIED

DO NOT SCALE PRINT
UNLESS OTHERWISE SPECIFIED
DIMENSIONS ARE IN INCHES
TOLERANCES:
DECIMALS: ANGLES: ±2'
.XX ±.10
.XXX ±.010
.XXXX ±.0010

AEROTRONICS

CONNECTOR, ELECTRICAL,
RECEPTACLE, SERIES III
(MIL-C-38999)

CUSTOMER DRAWING		CAGE CODE 1B6X9
DWG NO. A24WXXXXX-2260-348		REV. NC
SCALE: --	DATE: 01/10/24	PAGE: 1/1