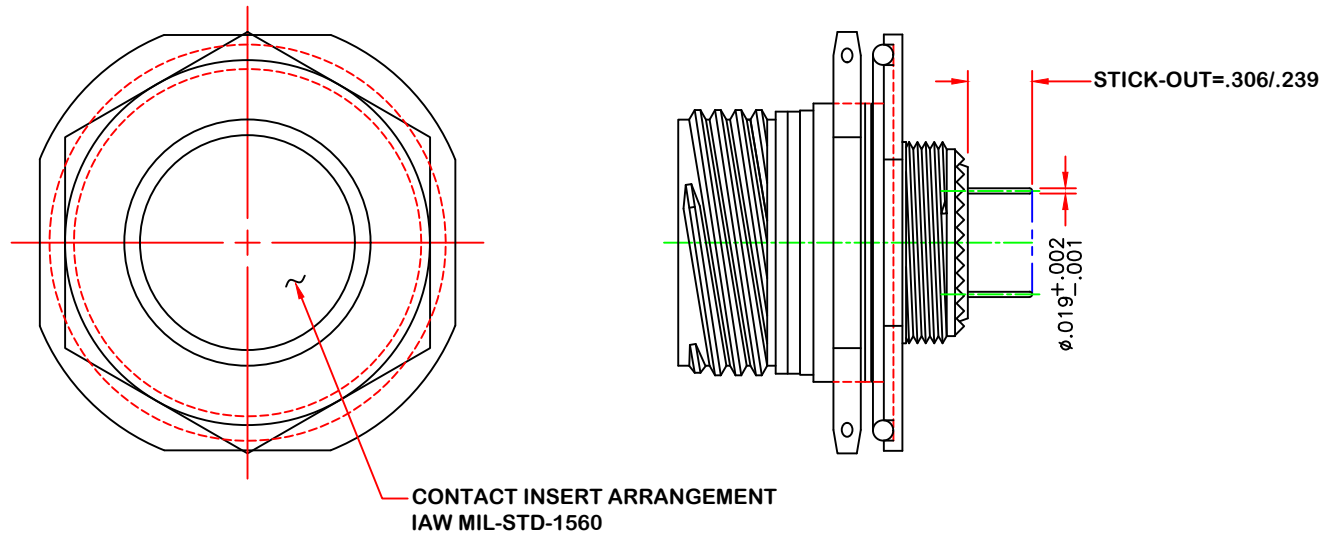


THIS DOCUMENT CONTAINS PROPRIETARY INFORMATION AND SUCH INFORMATION MAY NOT BE DISCLOSED TO OTHERS FOR ANY PURPOSE OR USED FOR MANUFACTURING PURPOSES WITHOUT WRITTEN PERMISSION FROM AEROTRONICS, INC.

REVISIONS			
REV		DATE	APPRV'D
NC	RELEASED	12/13/21	LAV



A24WJ35BB-2214-348T

- SEQUENTIAL NUMBER FOR EACH PC TAIL CONTACT P/N
- POLARIZATION POSITION
- CONTACT TYPE: B= CONNECTOR SUPPLIED WITH PCB SOCKET CONTACT
- CONTACT INSERT ARRANGEMENT
- SHELL SIZE CODE 25
- SHELL FINISH: W=OLIVE DRAB; F=NICKEL
- JAM NUT CONNECTOR
- AEROTRONICS

- CONNECTORS SHALL BE MARKED WITH MIL PART NUMBERS.
 - SUFFIX "T" AT THE END OF CONTACT P/N DENOTES TIN DIPPING.
 - SOCKET CONTACT P/N 3510-2214-348T.
 - CONTACTS IAW MIL-C-39029/56-348, PC TAIL.
 - CONNECTOR SHALL MEET ALL APPLICABLE REQUIREMENTS IAW D38999/24.
- NOTES: UNLESS OTHERWISE SPECIFIED

DO NOT SCALE PRINT	
UNLESS OTHERWISE SPECIFIED DIMENSIONS ARE IN INCHES	
TOLERANCES:	ANGLES: ±2°
DECIMALS:	
.XX ±.01	
.XXX ±.005	
.XXXX ±.0005	

AEROTRONICS	
CONNECTOR, ELECTRICAL, RECEPTACLE, SERIES III (MIL-C-38999)	
CUSTOMER DRAWING	
DWG NO.	CAGE CODE
A24WXXXX-2214-348T	1B6X9
SCALE: --	REV.
DATE: 12/13/21	NC
PAGE: -	